

# CATALOGO DE MOTOR

CARGADORA | **R45C II**

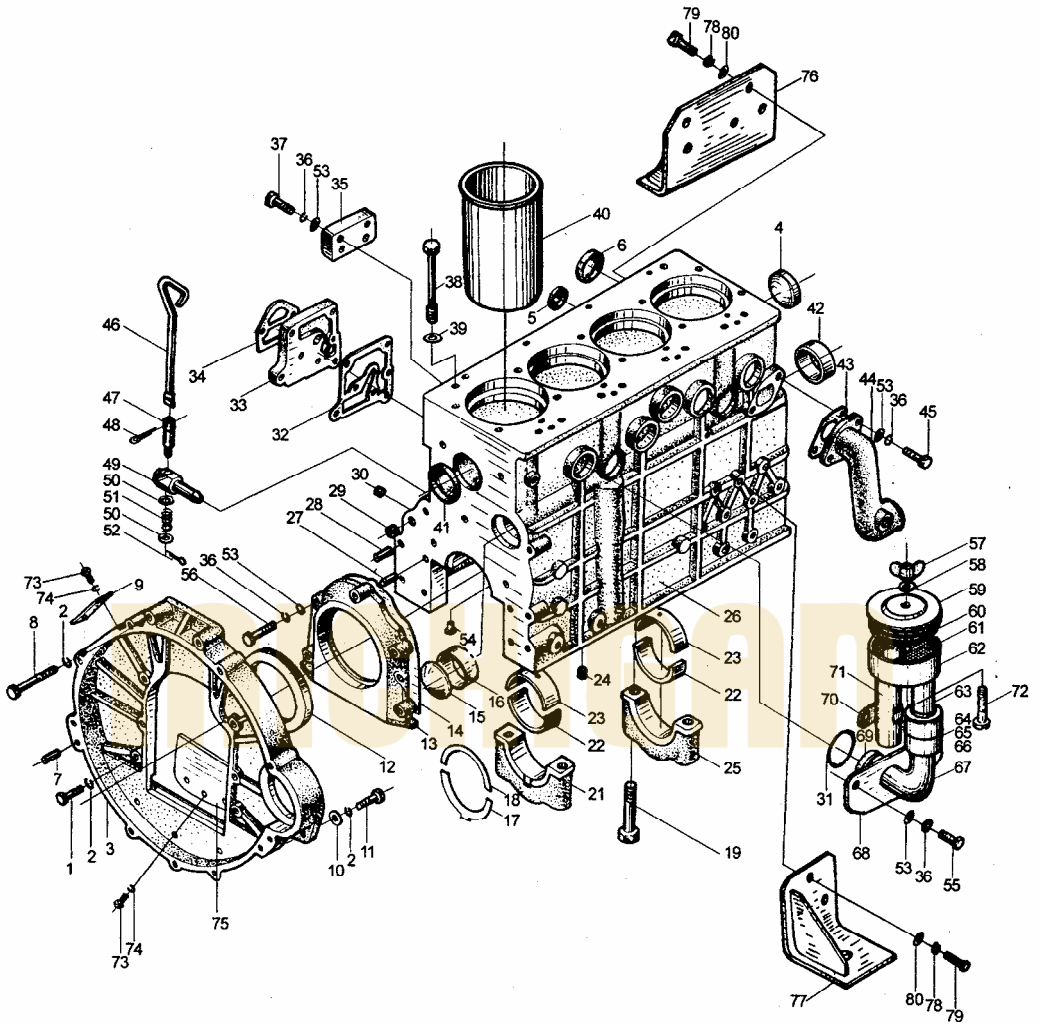


**MICHIGAN**

# Contents

Body assembly and accessory .....	2
Body assembly and accessory .....	7
Cylinder head and gas exchanging system assembly .....	11
Cylinder head and gas exchanging system assembly .....	12
Oil sump assembly .....	16
Oil sump assembly .....	18
Piston connecting rod assembly .....	20
Crankshaft flywheel assembly .....	22
Crankshaft flywheel assembly .....	23
Timing gear train assembly .....	25
Timing gear train assembly .....	29
Cylinder head cover assembly .....	32
Oil pump and oil pipe assembly .....	34
Cooling water pump and fan assembly .....	36
Cooling water pump and fan assembly .....	37
Fuel supply system assembly .....	40
Fuel pump assembly .....	42
Governor .....	46
Starting motor assembly .....	51
Charging generator assembly .....	53
Oil meter assembly .....	55

# Body assembly and accessory



## Body assembly and accessory

No.	Part No.	Name	Q'ty	Remark
1	GB/T5783 - 2000	Bolt M12 × 32	4	
2	GB/T93 - 1987	Spring washer 12	8	
3	490B - 13001A	Flywheel housing	1	
4	495B - 01047	Plug 50	1	
5	490B - 03017	Plug 20	3	
6	490B - 01079	Plug 40	10	
7	GB/T120.1 - 2000	Pin A10 × 25	2	
8	GB/T5782 - 2000	Bolt M12 × 65	2	
9	490B - 13003	Cover, inspection hole	1	
10	GB/T97.1 - 1985	Washer 12	6	
11	GB/T5783 - 2000	Bolt M12 × 28	2	
12		Oil seal 100 × 125 × 12	1	
13	490B - 01024A	Oil seal seat	1	
14	490B - 01025	Gasket	1	
15	490B - 01009	Plug 58	1	
16	495B - 01008	Rear camshaft bushing	1	
17	495B - 01022A	Lower thrust bearing	2	
18	495B - 01026A	Upper thrust bearing	2	
19	A498B - 01019A	Bolt	10	
21	A498B - 01023	Rear bearing cap	1	
22	495B - 01033A	Main bearing, lower half	5	
23	495B - 01034A	Main bearing, upper half	5	
24	490B - 01027	Plug	1	

## Body assembly and accessory

No.	Part No.	Name	Q'ty	Remark
25	A498B - 01032	Main bearing cover	4	
26	A498B - 01001	Cylinder block	1	
27	GB/T119.2 - 2000	Pin B8 × 20	2	
28	GB/T119.2 - 2000	Pin B10 × 25	2	
29	490B - 01080	Plug 15	2	
30	490B - 01029	Plug R1/8	6	
31	490B - 34009	O - ring	1	
32	490B - 01071	Oil filter gasket	1	
33	490B - 01072	Oil filter back plate	1	
34	490B - 01073	Gasket	1	
35	490B - 01076B	Fuel filter back plate	1	
36	GB/T93 - 1987	Spring washer 8	11	
37	GB/T5783 - 2000	Bolt M8 × 22	5	
38	490B - 01002	Bolt	14	
	490B - 01003	Bolt	4	
39	490B - 01044	Washer for cylinder head bolt		
40	A498B - 01005	Cylinder liner	4	
41	495B - 01050	Plug 60	1	
42	495B - 01007	Camshaft bushing	2	
43	490B - 01012	Gasket	1	
44	490B - 01011 - 8	Water pipe	1	
45	GB/T5783 - 2000	Bolt M8 × 22	2	
46	490B - 01101	Drain cock handle	1	
47	490B - 01103	Drain cock core	1	
48	GB/T91 - 2000	Pin 3.2 × 22	1	

## Body assembly and accessory

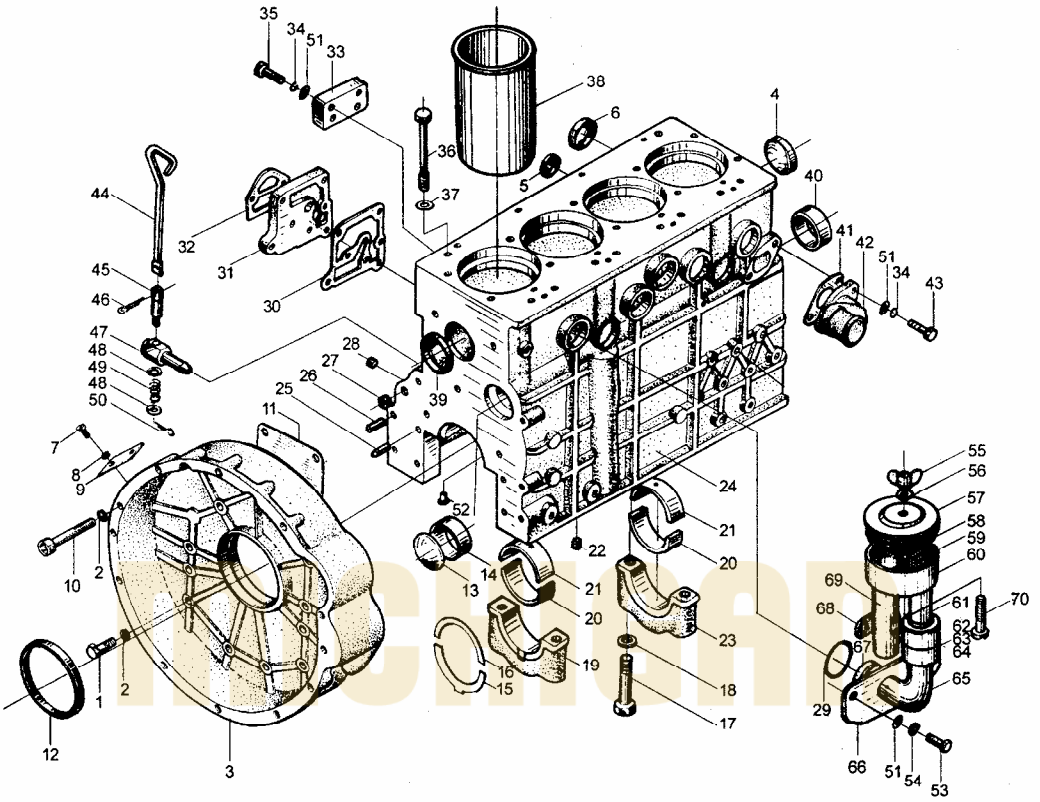
No.	Part No.	Name	Q'ty	Remark
49	495B - 01102	Valve body	1	
50	GB/T848 - 1985	Washer 6 - 140HV	2	
51	490B - 01104	Spring	1	
52	GB/T91 - 2000	Pin 1.6 × 12	1	
53	GB/T97.1 - 1985	Washer 8 - 140HV	2	
54	495B - 01015	Oil injector	4	
55	GB/T5783 - 2000	Bolt M8 × 16	2	
56	GB/T5783 - 2000	Bolt M8 × 30	5	
57	GB/T62 - 1988	Nut M6	1	
58	GB/T97.1 - 1985	Washer 6 - 140HV	1	
59	490B - 34005	Upper cover, air intake device	1	
60	490B - 34008	Seal ring	1	
61		Filter( I )	1	
62	490B - 34006	Lower parts of breath adapter	1	
63	490B - 34013	Air vent( II )	1	
64	490B - 34010	Transition pipe	2	
65	490B - 34011	Strut	1	
66		Filter( II )	1	
67	490B - 34012	Air vent( III )	1	
68	495B - 34003	Plate	1	
69	495B - 34004	Inlet drivepipe	1	
70	490B - 34002A	Fixed plate	1	
71	495B - 34007	Air vent( I )	1	
72	GB/T67 - 2000	Screw M6 × 50	1	

## Body assembly and accessory

No.	Part No.	Name	Q'ty	Remark
73	GB/T67 - 2000	Screw M6 × 10	5	
74	GB/T93 - 1987	Spring washer 6	5	
75	490B - 13002	Plate	1	
76	495BPG - 15200	Engine front bracket (left)	1	
77	495BPG - 15100	Engine front bracket (right)	1	
78	GB/T93 - 1987	Spring washer 10	8	
79	GB/T5783 - 2000	Bolt M10 × 25	8	
80	GB/T97.1 - 1985	Washer 10 - 140HV	8	

MICHIGAN

# Body assembly and accessory





## Body assembly and accessory

No.	Part No.	Name	Q'ty	Remark
1	GB/T5783 - 2000	Bolt M12 × 32	4	
2	GB/T93 - 1987	Spring washer 12	8	
3	490BT - 13001	Flywheel housing	1	
4	495B - 01047	Plug 50	1	
5	490B - 03017	Plug 20	3	
6	490B - 01079	Plug 40	10	
7	GB/T67 - 2000	Screw M6 × 10	2	
8	GB/T93 - 1987	Spring washer 6	2	
9	490B - 13003	Cover, inspection hole	1	
10	GB/T70 - 1985	Screw M12 × 90	2	
11	490BT - 13004	Shim	1	
12		Oil seal 100 × 125 × 12	1	
13	490B - 01009	Plug 58	1	
14	495B - 01008	Rear camshaft bushing	1	
15	495B - 01022A	Lower thrust bearing	2	
16	495B - 01026A	Upper thrust bearing	2	
17	A498B - 01019	Bolt	10	
18	490B - 01018	Washer	10	
19	A498B - 01023	Rear bearing cap	1	
20	495B - 01033A	Main bearing, lower half	5	
21	495B - 01034A	Main bearing, upper half	5	
22	490B - 01027	Plug	1	
23	A498B - 01032	Main bearing cover	4	
24	A498B - 01001	Cylinder block	1	

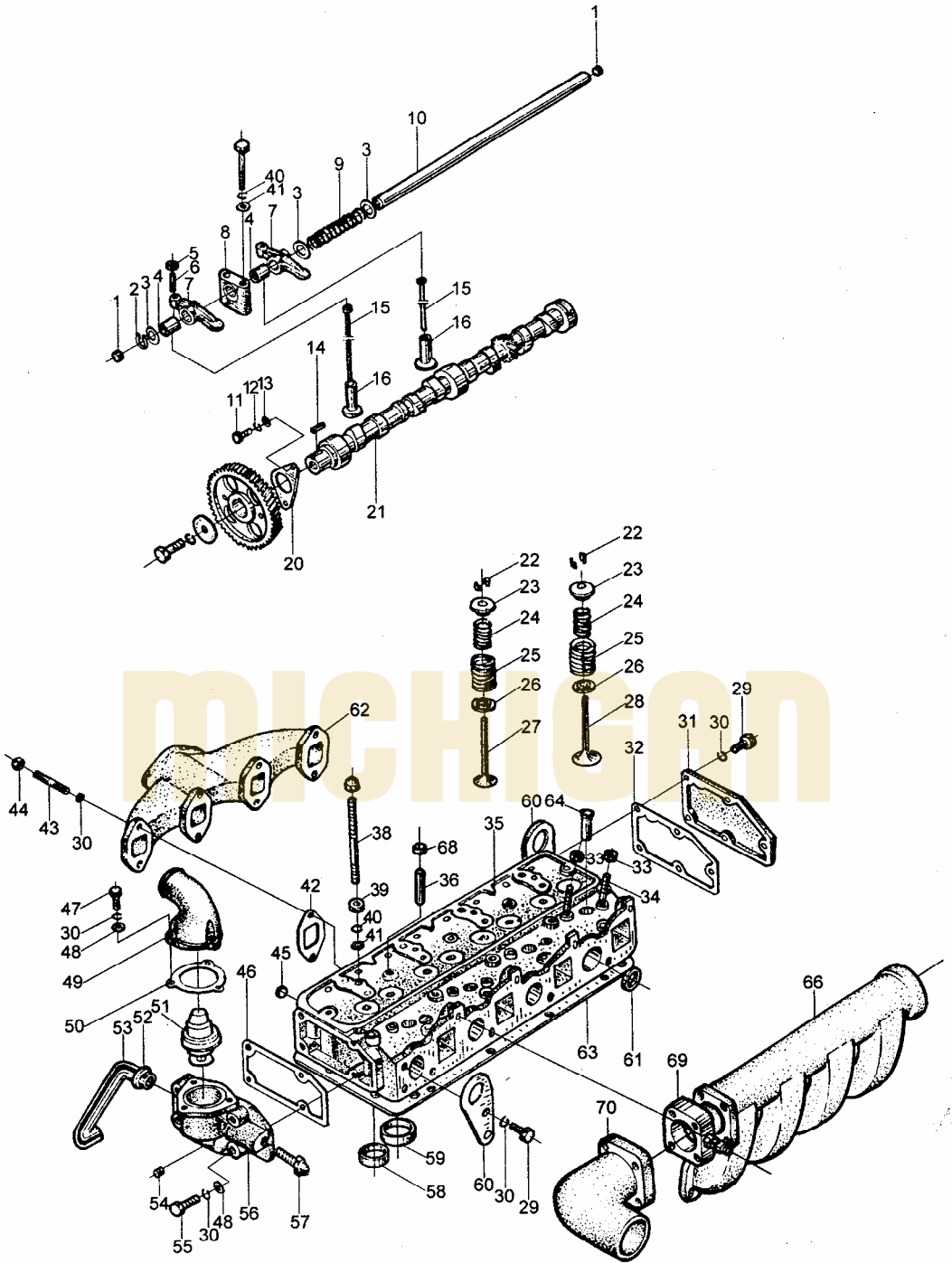
## Body assembly and accessory

No.	Part No.	Name	Q'ty	Remark
25	GB/T119.2 - 2000	Pin B8 × 20	2	
26	GB/T119.2 - 2000	Pin B10 × 25	2	
27	490B - 01080	Plug 15	2	
28	490B - 01029	Plug R1/8	6	
29	490B - 34009	O - ring	1	
30	490B - 01071	Oil filter gasket	1	
31	490B - 01072	Oil filter back plate	1	
32	490B - 01073	Gasket	1	
33	490B - 01076B	Fuel filter back plate	1	
34	GB/T93 - 1987	Spring washer 8	11	
35	GB/T5783 - 2000	Bolt M8 × 22	5	
36	490B - 01002	Bolt	14	
	490B - 01003	Bolt	4	
37	490B - 01044	Washer for cylinder head bolt		
38	A498B - 01005	Cylinder liner	4	
39	495B - 01050	Plug 60	1	
40	495B - 01007	Camshaft bushing	2	
41	490B - 01012	Gasket	1	
42	490BT - 01011	Water pipe	1	
43	GB/T5783 - 2000	Bolt M8 × 22	2	
44	490B - 01101	Drain cock handle	1	
45	490B - 01103	Drain cock core	1	
46	GB/T91 - 2000	Pin 3.2 × 22	1	
47	495B - 01102	Valve body	1	
48	GB/T848 - 1985	Washer 6 - 140HV	2	

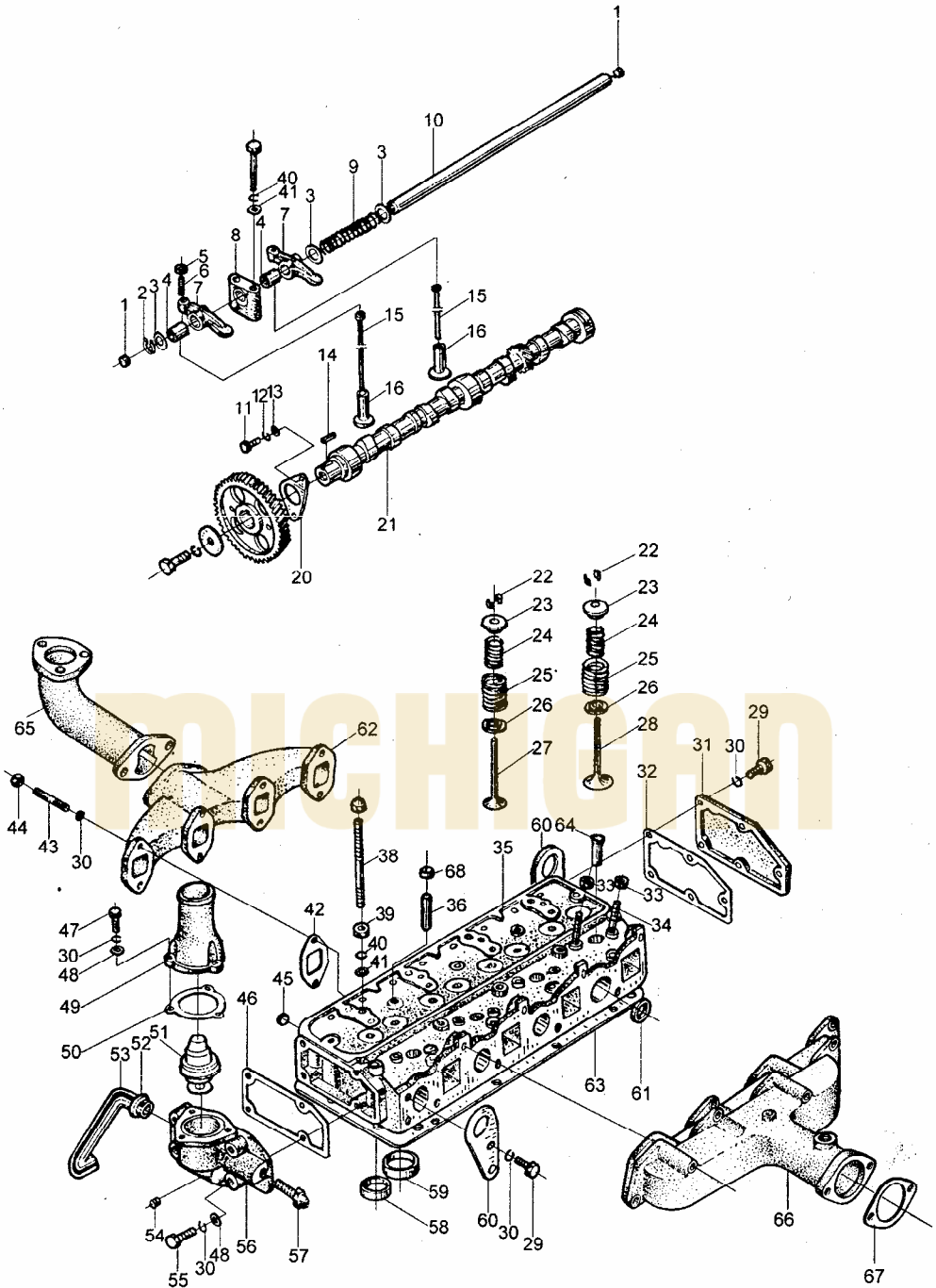
## Body assembly and accessory

No.	Part No.	Name	Q'ty	Remark
49	490B - 01104	Spring	1	
50	GB/T91 - 2000	Pin 1.6 × 12	1	
51	GB/T97.1 - 1985	Washer 8 - 140HV	2	
52	495B - 01015	Oil injector	4	
53	GB/T5783 - 2000	Bolt M8 × 16	2	
54	GB/T5783 - 2000	Bolt M8 × 30	5	
55	GB/T62 - 1988	Nut M6	1	
56	GB/T97.1 - 1985	Washer 6 - 140HV	1	
57	490B - 34005	Upper cover, air intake device	1	
58	490B - 34008	Seal ring	1	
59		Filter( I )	1	
60	490B - 34006	Lower parts of breath adapter	1	
61	490B - 34013	Air vent( II )	1	
62	490B - 34010	Transition pipe	2	
63	490B - 34011	Strut	1	
64		Filter( II )	1	
65	490B - 34012	Air vent( III )	1	
66	495B - 34003	Plate	1	
67	495B - 34004	Inlet drivepipe	1	
68	490B - 34002A	Fixed plate	1	
69	495B - 34007	Air vent( I )	1	
70	GB/T67 - 2000	Screw M6 × 50	1	

# Cylinder head and gas exchanging system assembly



# Cylinder head and gas exchanging system assembly



Cylinder head and gas exchanging  
system assembly

No.	Part No.	Name	Q'ty	Remark
1	490B - 03018	Plug 12	2	
2	GB/T894.1 - 1986	Snap ring 20	2	
3	GB/T848 - 1985	Washer 20	8	
4	490B - 03212A	Valve rocker arm bushing	8	
5	GB/T6171 - 2000	Nut M8 × 1	8	
6	490B - 03201	Adjusting screw for valve clearance	8	
7	490B - 03211A	Valve rocker arm	8	
8	490B - 03202	Seat	4	
9	490B - 03203	Spring	3	
10	490B - 03204	Shaft	1	
11	GB/T5783 - 2000	Bolt M8 × 18	6	
12	GB/T93 - 1987	Spring washer	17	
13	GB/T97.1 - 1985	Washer 8	2	
14	GB/T1096 - 1979	Key C8 × 32	1	
15	495B - 06003	Push rod	8	
16	490B - 06002	Push tappet	8	
20	490B - 02008	Thrust plate for camshaft	1	
21	495B - 06001	Camshaft	1	
22	490B - 03006	Split valve retainer	16	
23	490B - 03007	Valve spring seat, upper	8	
24	490B - 03005	Valve spring, inner	8	
25	490B - 03004	Valve spring, outer	8	
26	490B - 03011	Lower seat, valve spring	8	
27	495B - 03015	Exhaust valve	4	

## Cylinder head and gas exchanging system assembly

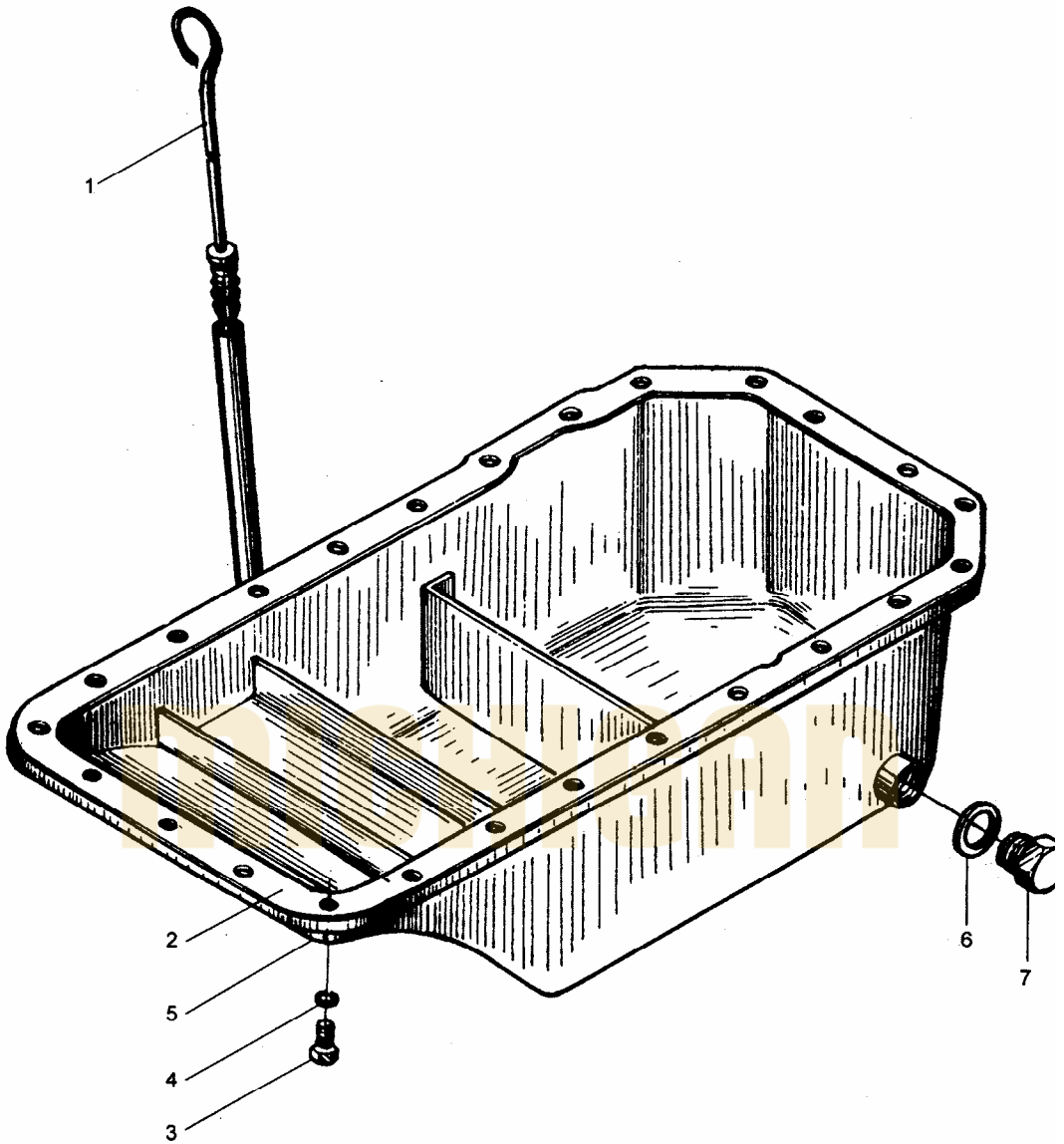
No.	Part No.	Name	Q'ty	Remark
28	A498B - 03014	Intake valve	4	
29	GB/T5783 - 2000	Bolt M8 × 18	4	
30	GB/T93 - 1987	Spring washer 8	17	
31	490B - 03012	Rear cover	1	
32	490B - 03013	Gasket	1	
33	GB/T56 - 1988	Nut M8	8	
34	GB/T899 - 1988	Stud AM8 - M8 × 50	8	
35	498B - 03101	Cylinder head	1	
36	490B - 03102	Valve guide	8	
38	490B - 03001A	Stud	4	
39	GB/T6170 - 2000	Nut M10	4	
40	GB/T93 - 1987	Spring washer 10	8	
41	GB/T97.1 - 1985	Washer 10	8	
42	495B - 03003	Gasket	4	
43	GB/T899 - 1988	Stud AM8 - M8 × 25	8	
44	GB/T6170 - 2000	Nut M8	8	
45	490B - 03103	Plug	1	
46	490B - 43005	Thermostat gasket	1	
47	GB/T5783 - 2000	Bolt M8 × 25	3	
48	GB/T97.1 - 1985	Washer 8	7	
49	490B - 43001	Thermostat cover	1	498BPG
	490BT - 43001	Thermostat cover	1	498BT
50	490B - 43003	Thermostat cover gasket	1	
51	490B - 43002	Thermostat	1	

Cylinder head and gas exchanging  
system assembly

No.	Part No.	Name	Q'ty	Remark
52	490B - 01074	Pipe	1	
53	495B - 43007	Water pipe	1	
54	490B - 43008	Plug NPT3/8	1	
55	GB/T5782 - 2000	Bolt M8 × 35	4	
56	490B - 43101	Thermostat housing	1	
57	490B - 43009	Water temperature sensor	1	
58	495B - 03108	Exhaust valve seat	4	
59	A498B - 03107	Intake valve seat	4	
60	490B - 03009A	Hoisting bracket	1	
61	490B - 01078	Pulg 30	4	
62	485 - 08001	Exhaust pipe	1	
63	A498B - 01004	Gasket	1	
64	490B - 03109	Sleeve tube	4	
65	490BT - 08003	Exhaust adapter	1	498BT
66	490B - 09002	Intake pipe	1	498BPG
	490BT - 09002	Intake pipe	1	498BT
67	490BT - 09004	Paper gasket	1	498BT
68	498 - 03016	Oil seal	8	
69	490B - 54000	Air calorifier	1	498BPG
70	490B - 09003 - 7	Intake adapter	1	498BPG



# Oil sump assembly

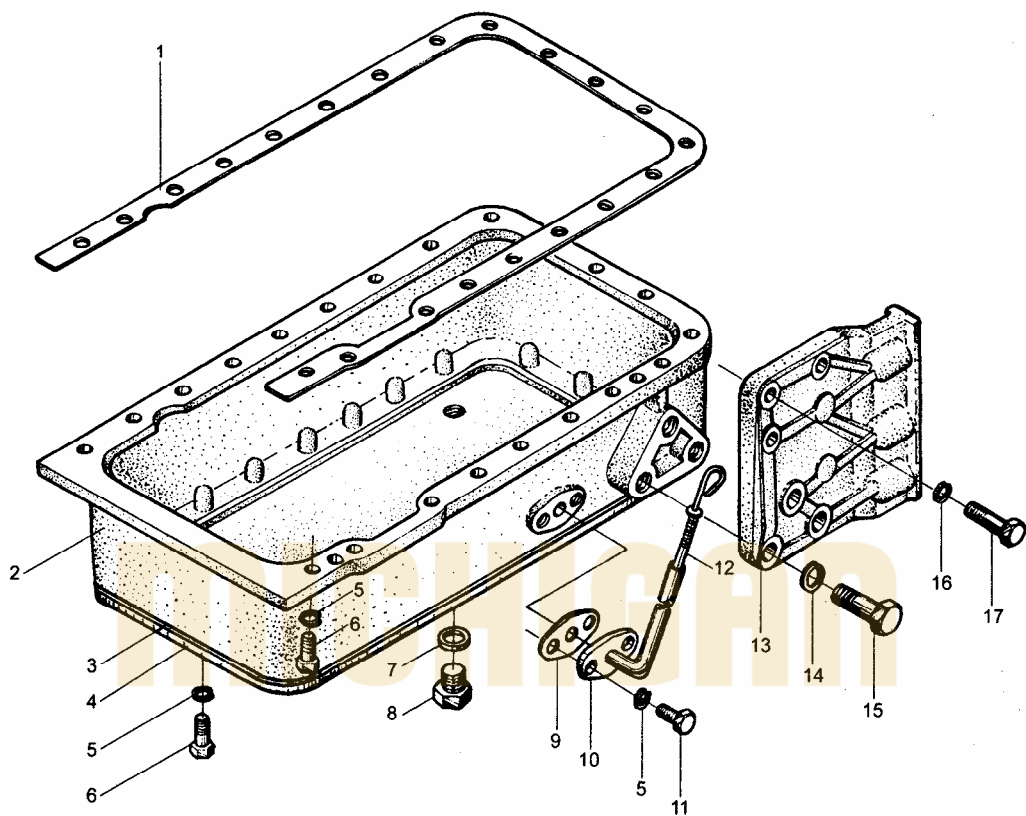


## Oil sump assembly

No.	Part No.	Name	Q'ty	Remark
1	490B - 07200	Oil dipstick	1	
2	490B - 07002	Oil sump gasket	1	
3	GB/T5783 - 2000	Bolt M8 × 16	28	
4	GB/T93 - 1987	Spring washer 8	28	
5	490B - 07100	Oil sump	1	
6	JB982 - 1977	Seal ring 20	1	
7	JB2343 - 1979	Magnetic plug M20 × 1.5	1	

MICHIGAN

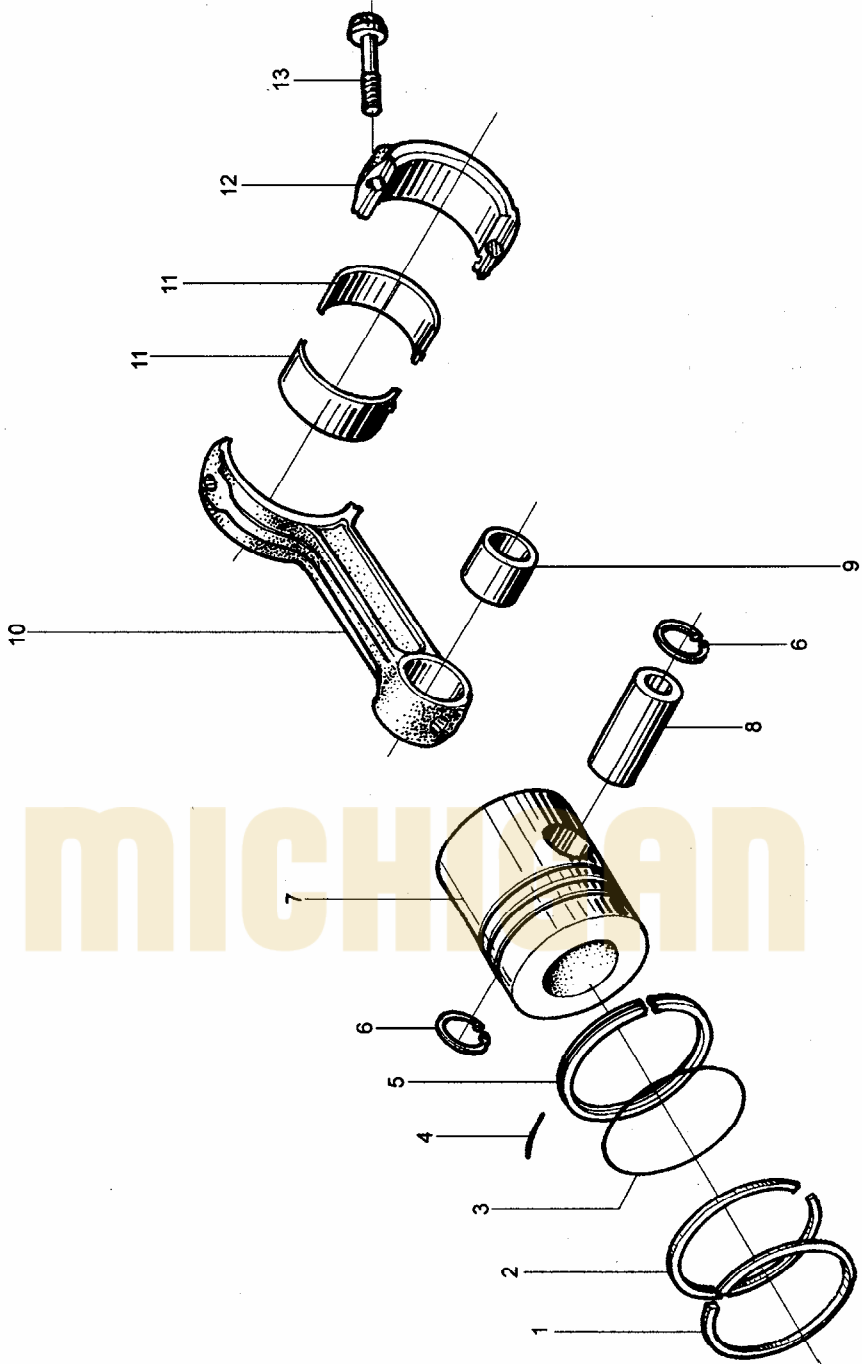
# Oil sump assembly



## Oil sump assembly

No.	Part No.	Name	Q'ty	Remark
1	490BT - 07002A	Oil sump gasket	1	
2	495BT - 07106	Main oil sump	1	
3	490BT - 07004	Oil sump gasket	1	
4	490BT - 07003	Oil sump botton plate	1	
5	GB/T93 - 1987	Spring washer 8	41	
6	GB/T5783 - 2000	Bolt M8 × 25	39	
7	JB982 - 1977	Seal ring 20	1	
8	JB2343 - 1979	Magnetic plug M20 × 1.5	1	
9	490BT - 07303	Gasket	1	
10	490BT - 07300	Oil lever pipe	1	
11	GB/T5783 - 2000	Bolt M8 × 20	2	
12	490B - 07200	Oil lever	1	
13	495BT - 15001	Engine front bracket	2	
14	GB/T93 - 1987	Spring washer 18	4	
15	490BT - 07800	Bolt	4	
16	GB/T93 - 1987	Spring washer 10	6	
17	GB/T5782 - 2000	Bolt M10 × 45	6	

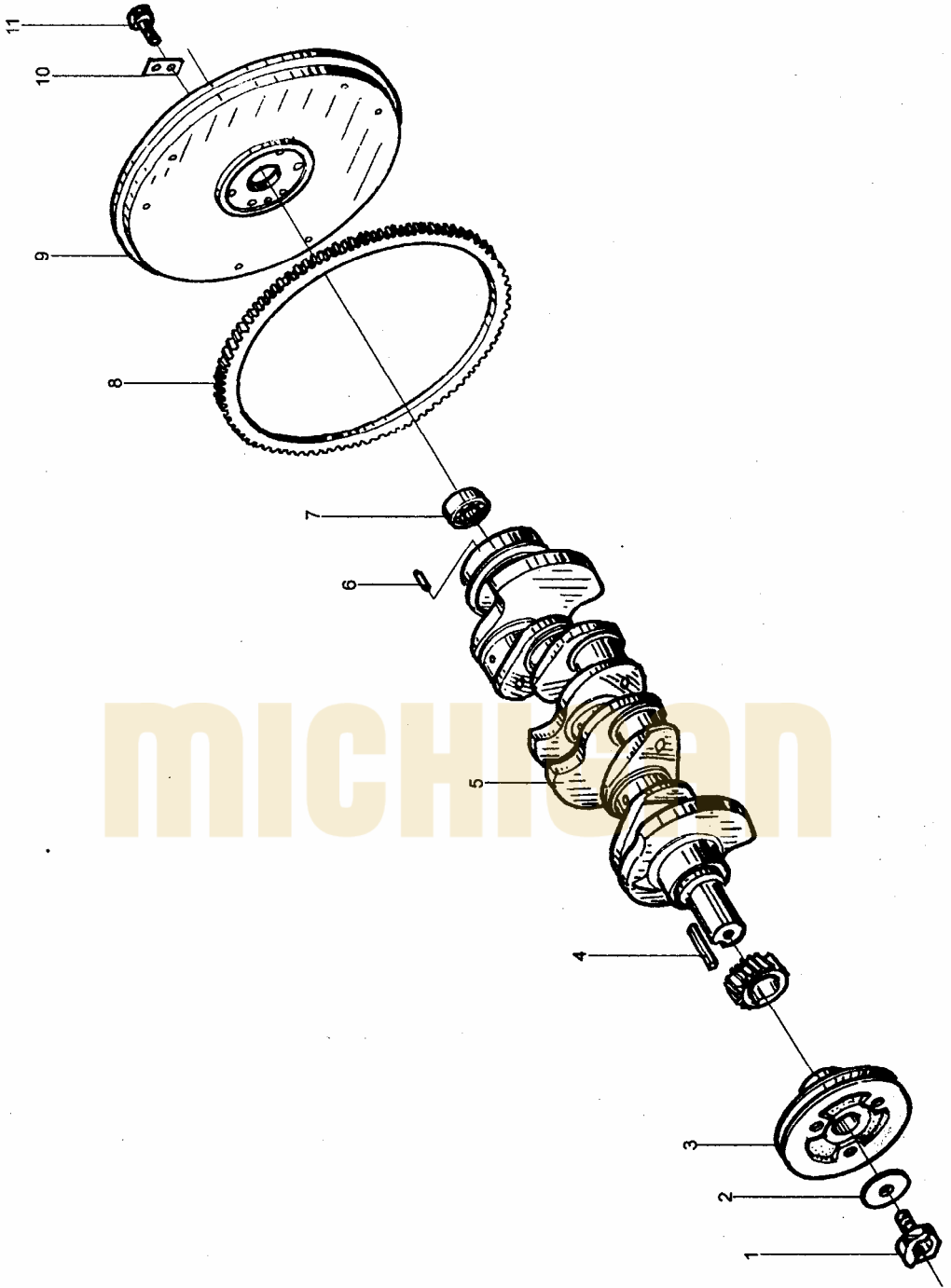
# Piston connecting rod assembly



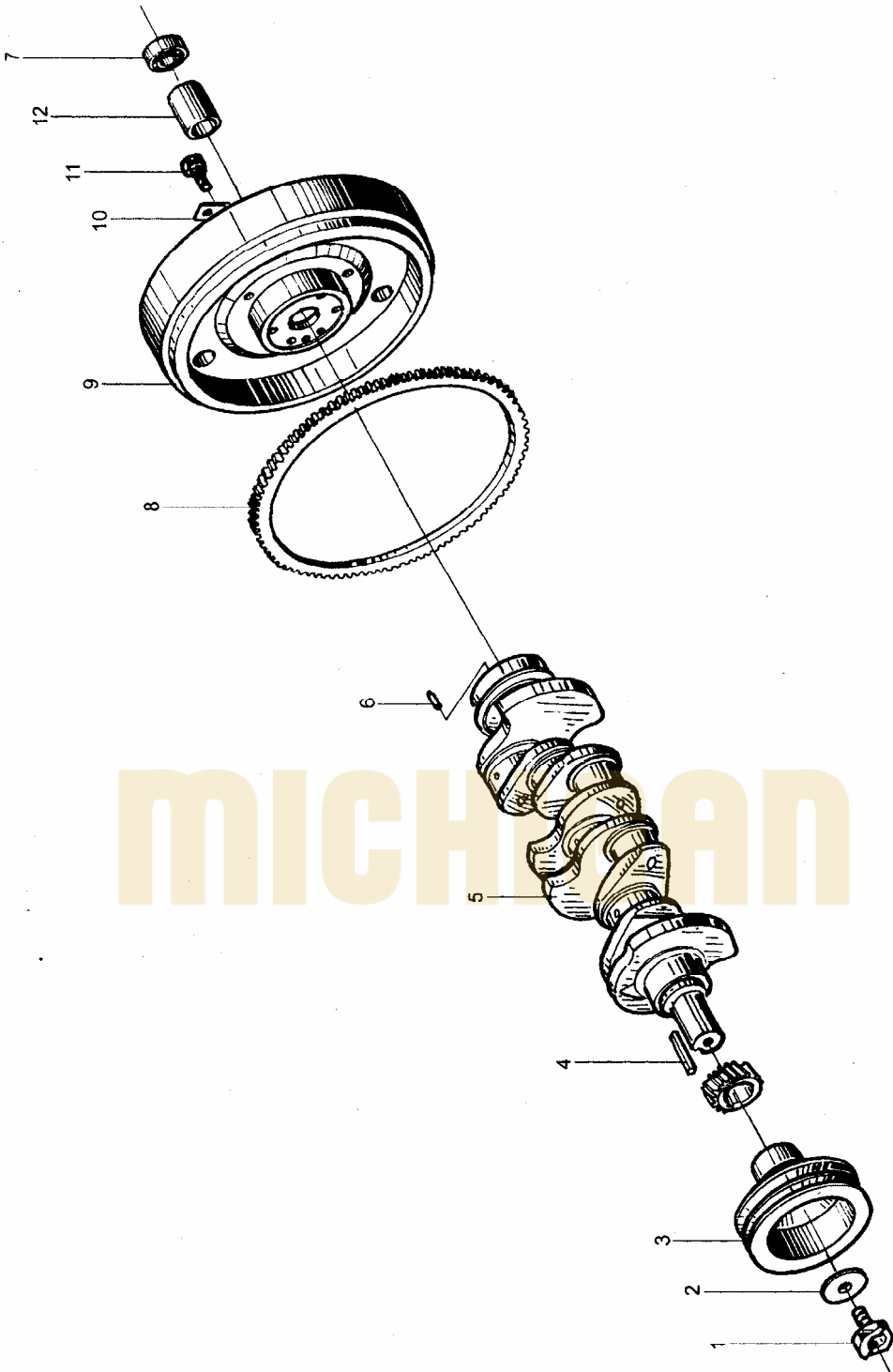
## Piston connecting rod assembly

No.	Part No.	Name	Q'ty	Remark
1	A498B - 04002	Compression ring( top)	4	
2	A498B - 04003	Compression ring( second)	4	
3	A498B - 04102	Spiral expansion spring	4	
4	A498B - 04103	Pin	4	
5	A498B - 04101	Oil ring body	4	
6	GB/T893. 1 - 1986	Snap ring 34	8	
7	A498B-04001-1A	Piston	4	
8	A498B - 04004A	Piston pin	4	
9	A498B - 04205	Connecting rod bush	4	
10	A498B - 04201	Connecting rod	4	
11	495B - 04005 - 1A	Connecting rod bearing	8	
12	495B - 04202A	Connecting rod cap	4	
13	495B - 04203B	Connecting rod bolt	8	

# Crankshaft flywheel assembly



# Crankshaft flywheel assembly



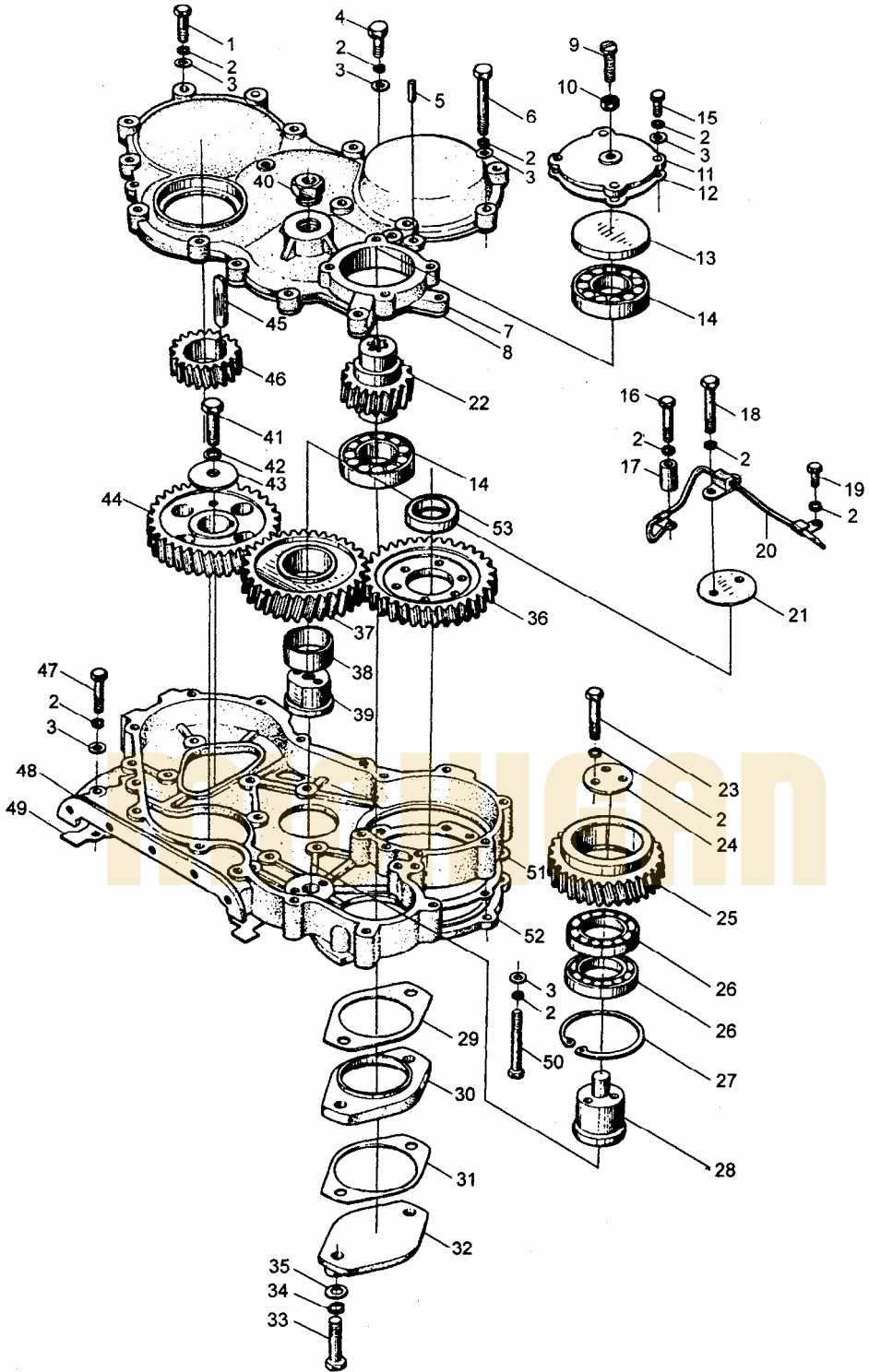
MICHIGAN



## Crankshaft flywheel assembly

No.	Part No.	Name	Q'ty	Remark
1	490B - 05008	Starting pawl	1	
2	490B - 05007	Washer, starting pawl	1	
3	495B - 05006	V - belt	1	498BPG
	490BT - 05006	V - belt	1	498BT
4	GB/T1096 - 1979	Key A12 × 60	1	
5	495B - 05004A	Crankshaft	1	
6	GB/T119.2-2000	Pin B10 × 24	1	
7	GB/T278 - 1989	Bearing 80203	1	
8	490B - 05102	Flywheel ring gear	1	
9	490B - 05101 - 7	Flywheel	1	498BPG
	495BT - 05101A	Flywheel	1	498BT
10	490B - 05001	Safe plate	3	
11	A495BZL - 05002	Flywheel bolt	6	
12	490BT - 05120	Snap ring	1	498BT

# Timing gear train assembly



## Timing gear train assembly

No.	Part No.	Name	Q'ty	Remark
1	GB/T5782 - 2000	Bolt M8 × 30	2	
2	GB/T859 - 1987	Washer 8	33	
3	GB/T849 - 1987	Washer 8	36	
4	GB/T5782 - 2000	Bolt M8 × 25	8	
5	GB1192 - 2000	Pin B8 × 20	2	
6	GB/T5782 - 2000	Bolt M8 × 70	8	
7	490BPG - 160001	Cover	1	
8	490BPG - 160002	Gasket	1	
9	490BPG - 82014	Adjusting screw	1	
10	GB/T6171 - 2000	Nut M8 × 1	1	
11	490BPG - 82008	Bearing cover	1	
12	490BPG - 82009	Gasket	1	
13	490BPG - 82001	End plate	1	
14	GB/T297 - 1994	Bearing 30207	2	
15	GB/T5782 - 2000	Bolt M8 × 20	4	
16	GB/T5782 - 2000	Bolt M8 × 40	2	
17	490BPG - 82003	Washer	1	
18	GB/T5782 - 2000	Bolt M8 × 60	2	
19	GB/T5782 - 2000	Bolt M8 × 15	1	
20	490BPG - 02100	Oil pipe	1	
21	490B - 02012 - 1	End plate	1	
22	490BPG - 82007	Hydraulic pump gear	1	
23	GB/T5782 - 2000	Bolt M8 × 50	3	
24	490BPG - 82006	Snap plate	1	

## Timing gear train assembly

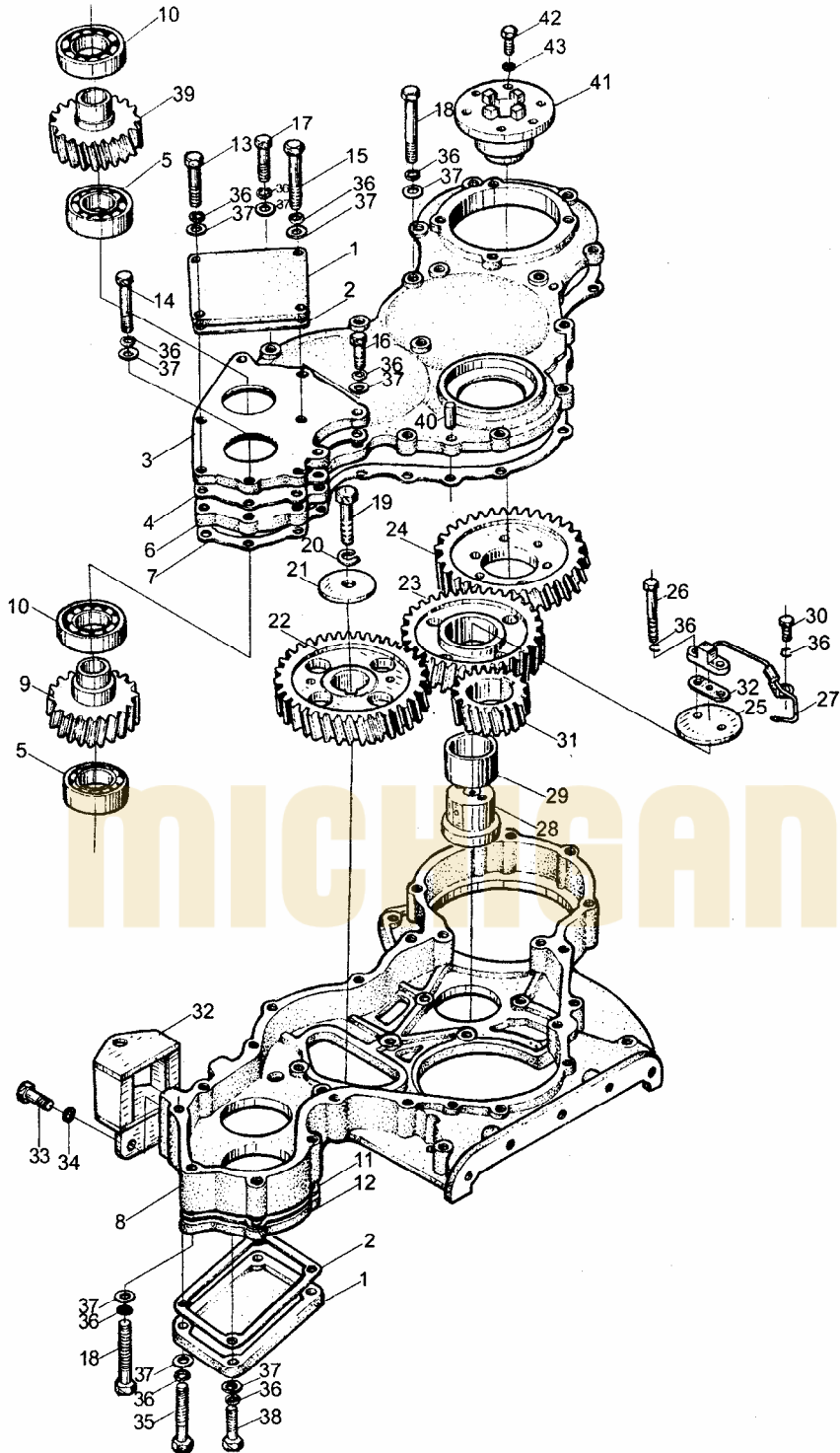
No.	Part No.	Name	Q'ty	Remark
25	490BPG - 82004	Bridge gear	1	
26	GB/T276 - 1994	Bearing 6009	2	
27	GB/T893.1 - 1986	Snap ring 75	1	
28	490BPG - 82005	Gear shaft	1	
29	490BPG - 82010	Gasket	1	
30	490BPG - 82011	Connecting plate	1	
31	490BPG - 82012	Gasket	1	
32	490BPG - 82013	End cover	1	
33	GB/T21 - 1976	Bolt M10 × 45	2	
34	GB/T859 - 1987	Washer 10	8	
35	GB/T849 - 1987	Washer 10	8	
36	490BPG - 02003	Pump timing gear	1	
37	490BPG - 02006	Timing idle gear	1	
38	490B - 02005	Bushing	1	
39	490B - 02004	Idle gear shaft	1	
40	490BPG - 82002	Screw	1	
41	GB/T5782 - 2000	Bolt M12 × 45	1	
42	GB/T859 - 1987	Spring washer 12	1	
43	490B - 02011	End cover	1	
44	490BPG - 02009	Camshaft timing gear	1	
45	GB/T1096 - 1979	Key C12 × 63	1	
46	490BPG - 02007	Crankshaft timing gear	1	
47	GB/T5782 - 2000	Bolt M8 × 45	1	
48	490BPG - 16003	Timing gear housing	1	

Timing gear train assembly

No.	Part No.	Name	Q'ty	Remark
49	490BPG - 16009	Gasket	1	
50	GB/T5782 - 2000	Bolt M8 × 75	2	
51	490BPG - 16008	Gasket	1	
52	490BPG - 16004	Connecting flange	1	
53	495B - 02105	Axle sleeve	1	

MICHIGAN

# Timing gear train assembly



## Timing gear train assembly

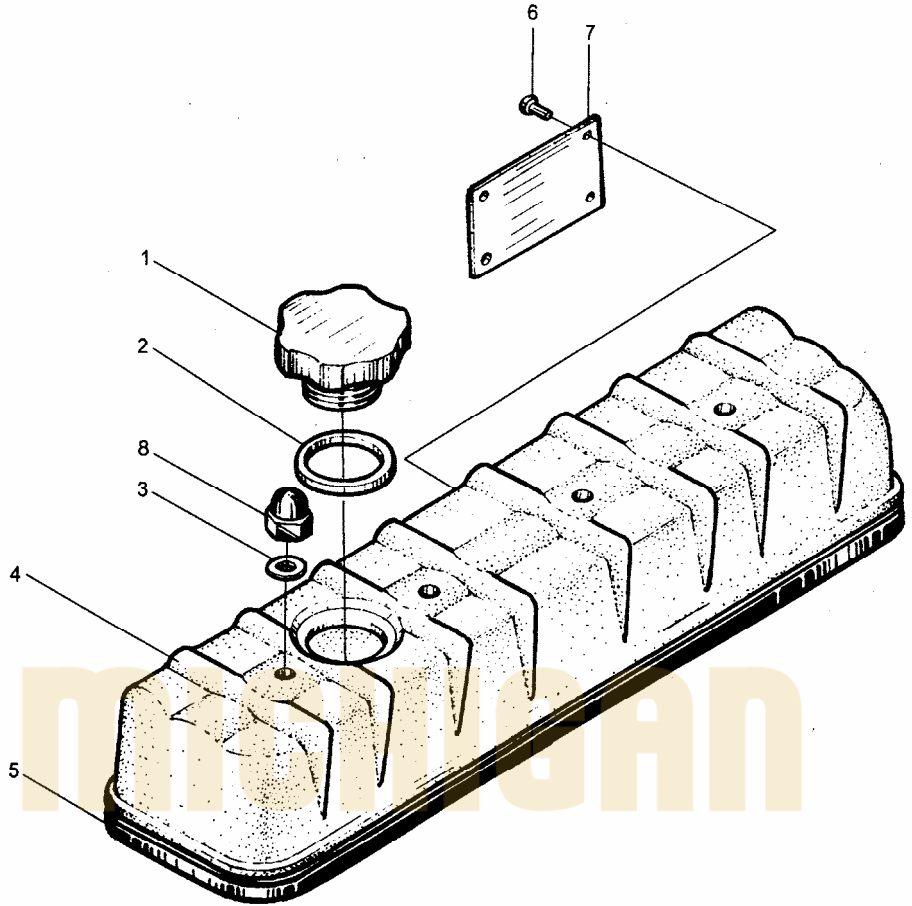
No.	Part No.	Name	Q'ty	Remark
1	490BT - 16014	Hydraulic pump end cap	2	
2	490BT - 16013	Hydraulic pump end cap gasket	2	
3	495BT - 16016	Front hydraulic pump gusset plate	1	
4	495BT - 16017	Front hydraulic pump gusset plate gasket	1	
5	GB/T276 - 1994	Bearing 6206	2	
6	495BT - 16001A	Timing gear cover	1	
7	495BT - 16002	Timing gear cover gasket	1	
8	495BT - 16003	Timing gear	1	
9	495BT - 02011	Front hydraulic pump gear	1	
10	GB/T292 - 1994	Bearing	2	
11	495BT - 16019	Rear hydraulic pump gusset plate gasket	1	
12	495BT - 16018	Rear hydraulic pump gusset plate	1	
13	GB/T5782 - 2000	Bolt M8 × 40	2	
14	GB/T5782 - 2000	Bolt M8 × 50	4	
15	GB/T5782 - 2000	Bolt M8 × 60	4	
16	GB/T5783 - 2000	Bolt M8 × 25	1	
17	GB/T5782 - 2000	Bolt M8 × 30	4	
18	GB/T5783 - 2000	Bolt M8 × 70	10	
19	GB/T5782 - 2000	Bolt M12 × 45	1	
20	GB/T93 - 1987	Spring washer 12	1	
21	490B - 02011	Camshaft timing gear pressure plate	1	
22	490BT - 02009	Camshaft timing gear	1	
23	490BT - 02006	Timing lazy gear	1	
24	490B - 02015	Timing gear	1	

## Timing gear train assembly

No.	Part No.	Name	Q'ty	Remark
25	490B - 02012	Plate	1	
26	GB/T5782 - 2000	Bolt M8 × 60	2	
27	490BT - 02100	Injection pipe	1	
28	490B - 02004	Gear shaft	1	
29	490B - 02005	Gear bushing	1	
30	GB/T5783 - 2000	Bolt M8 × 16	1	
31	490BT - 02007	Crankshaft timing gear	1	
32	490BT - 53002	Bracket	1	
33	GB/T5783 - 2000	Bolt M10 × 25	2	
34	GB/T93 - 1987	Spring washer 10	2	
35	GB/T5782 - 2000	Bolt M8 × 55	3	
36	GB/T93 - 1987	Spring washer 8	34	
37	GB/T97.1 - 1985	Washer 8 - 140HV	34	
38	GB/T5783 - 2000	Bolt M8 × 30	1	
39	495BT - 02010	Rear hydraulic pump gear	1	
40	GB1192 - 2000	Pin 8 × 20	1	
41	490BT - 02015	Bushing	1	
42	GB/T5783 - 2000	Bolt M6 × 16	6	
43	GB/T93 - 1987	Spring washer 6	6	



# Cylinder head cover assembly

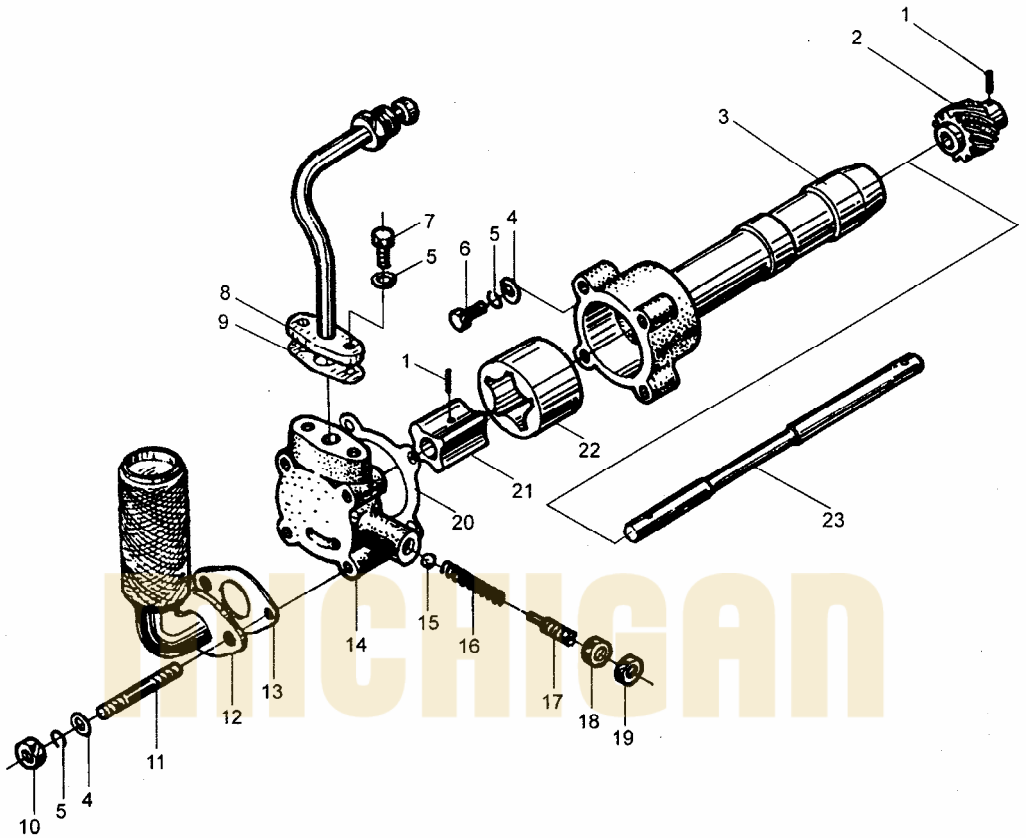


## Cylinder head cover assembly

No.	Part No.	Name	Q'ty	Remark
1	490B - 11201B	Cap	1	
2	490B - 11014	Cap gasket	1	
3	490B - 11006	Seal washer	4	
4	490B - 11100A	Cylinder head cover	1	
5	490B - 11004	Rubber pad	1	
6	GB/T827 - 1986	Rivet 2 × 5	4	
7	490B - 11009 - 1	Nameplate	1	
8	GB/T923 - 1988	Nut M8	4	

MICHIGAN

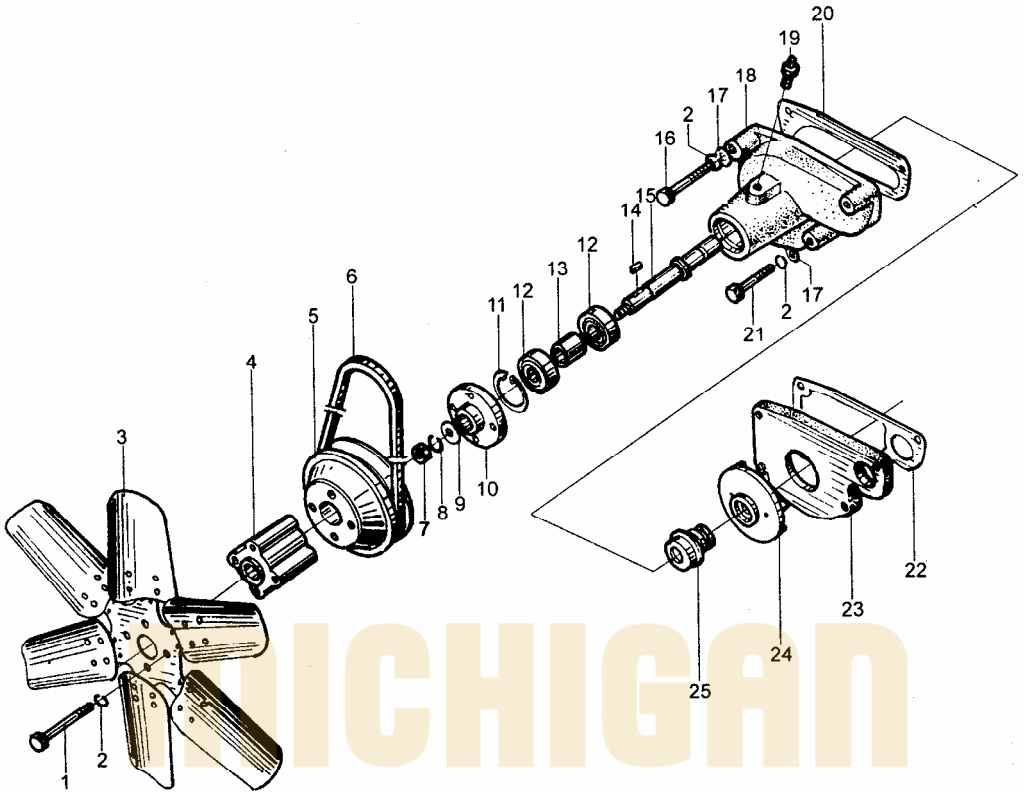
# Oil pump and oil pipe assembly



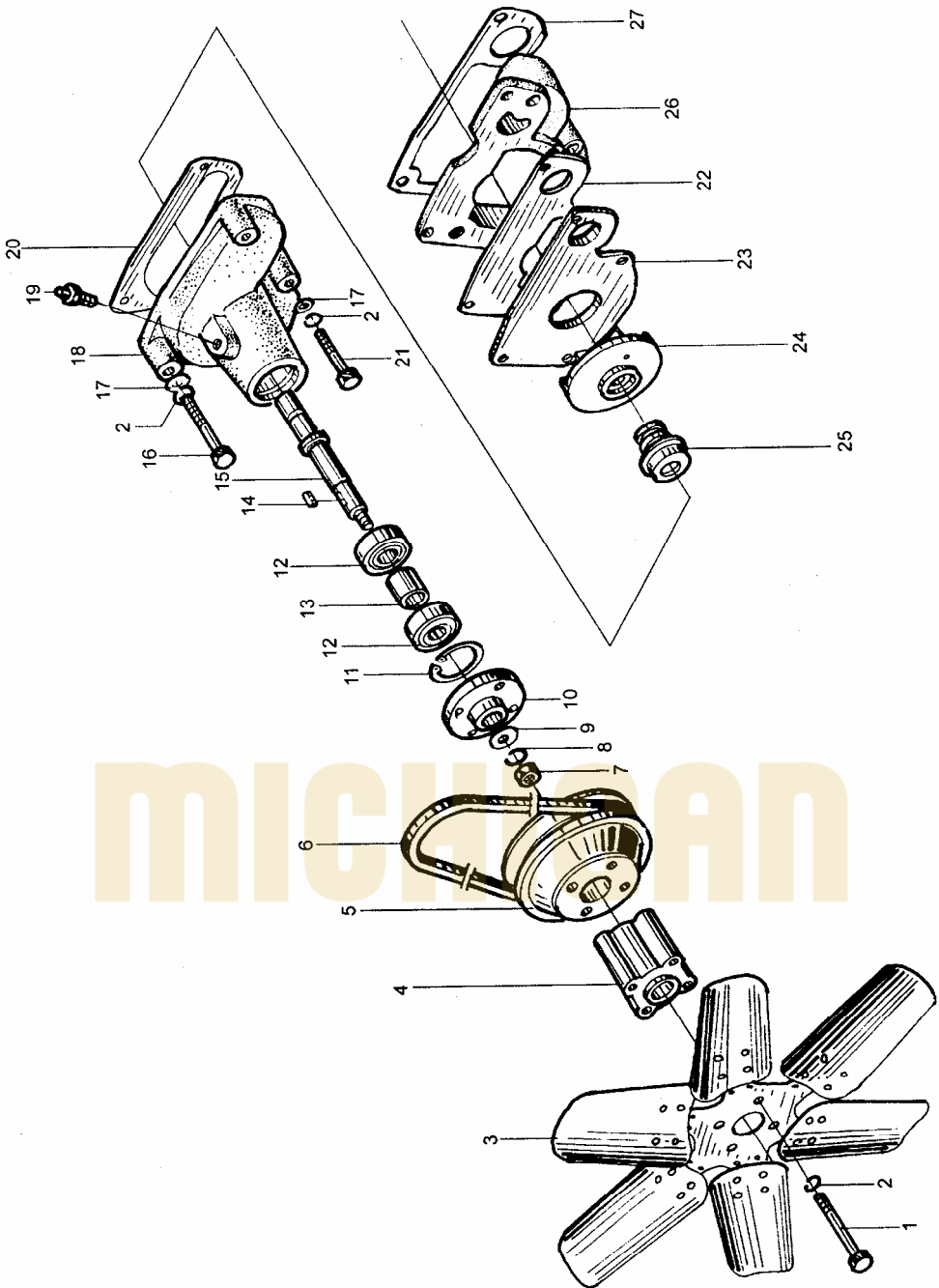
## Oil pump and oil pipe assembly

No.	Part No.	Name	Q'ty	Remark
1	495B - 31203	Pin	2	
2	495B - 31001	Oil pump driving gear	1	
3	495B - 31004A	Oil pump housing	1	
4	GB/T97.1 - 1985	Washer 8	5	
5	GB/T93 - 1987	Spring washer 8	5	
6	GB/T5783 - 2000	Bolt M8 × 30	1	
7	GB/T5783 - 2000	Bolt M8 × 20	2	
8	495B - 33000	Piping assembly	1	
9	490B - 33005	Gasket	1	
10	GB/T6170 - 2000	Nut M8	2	
11	GB/T899 - 1988	Stud M8 × 38	4	
12	495B - 31100A	Screen filter	1	
13	495B - 31006A	Oil filter gasket	1	
14	495B - 31005A	Cover, oil pump	1	
15	GB/T308 - 1989	Steel ball 10	1	
16	495B - 31003	Spring	1	
17	495B - 31002	Screw	1	
18	GB/T6171 - 2000	Nut M14 × 1.5	1	
19	GB/T6173 - 2000	Nut M14 × 1.5	1	
20	495B - 31007	Cover, oil pump gasket	1	
21	495B - 31202A	Inner rotor	1	
22	495B - 31008A	Outer rotor	1	
23	490B - 31201	Shaft of oil pump	1	

# Cooling water pump and fan assembly



# Cooling water pump and fan assembly



MICHIGAN

## Cooling water pump and fan assembly

No.	Part No.	Name	Q'ty	Remark
1	GB/T5782 - 2000	Bolt M8 × 45	4	
2	GB/T93 - 1987	Spring washer 8	4	
3	490B - 41100	Fan	1	
4	490B - 41003	Gasket	1	
5	490B - 41002	Fan pulley	1	
6	490B - 41001	Fan belt	1	
7	GB/T6178 - 2000	Nut M10	1	
8	GB/T93 - 1987	Spring washer 10	1	
9	495B - 42011	Washer Q235 - AF	1	
10	495B - 42001	Fan pulley hub	1	
11	GB/T893.1 - 1986	Snap ring 40	1	
12	GB/T278 - 1989	Bearing 6203	2	
13	495B - 42003	Sleeve spacer	1	
14	GB/T1099 - 1979	Key 5 × 19	1	
15	495B - 42002	Water pump shaft	1	
16	GB/T5782 - 2000	Bolt M8 × 80	1	498BPG
	GB/T5782 - 2000	Bolt M8 × 70	1	498BT
17	GB/T96 - 1985	Washer 8	1	
18	495B - 42004	Water pump housing	1	
19	GB/T1152 - 1989	Oil cup	1	
20	495B - 42005	Gasket	1	
21	GB/T5782 - 2000	Bolt M8 × 65	3	498BPG
	GB/T5782 - 2000	Bolt M8 × 55	3	498BT
22	495B - 42007A	Gasket	1	498BPG
	490BT - 42011	Shim	1	498BT

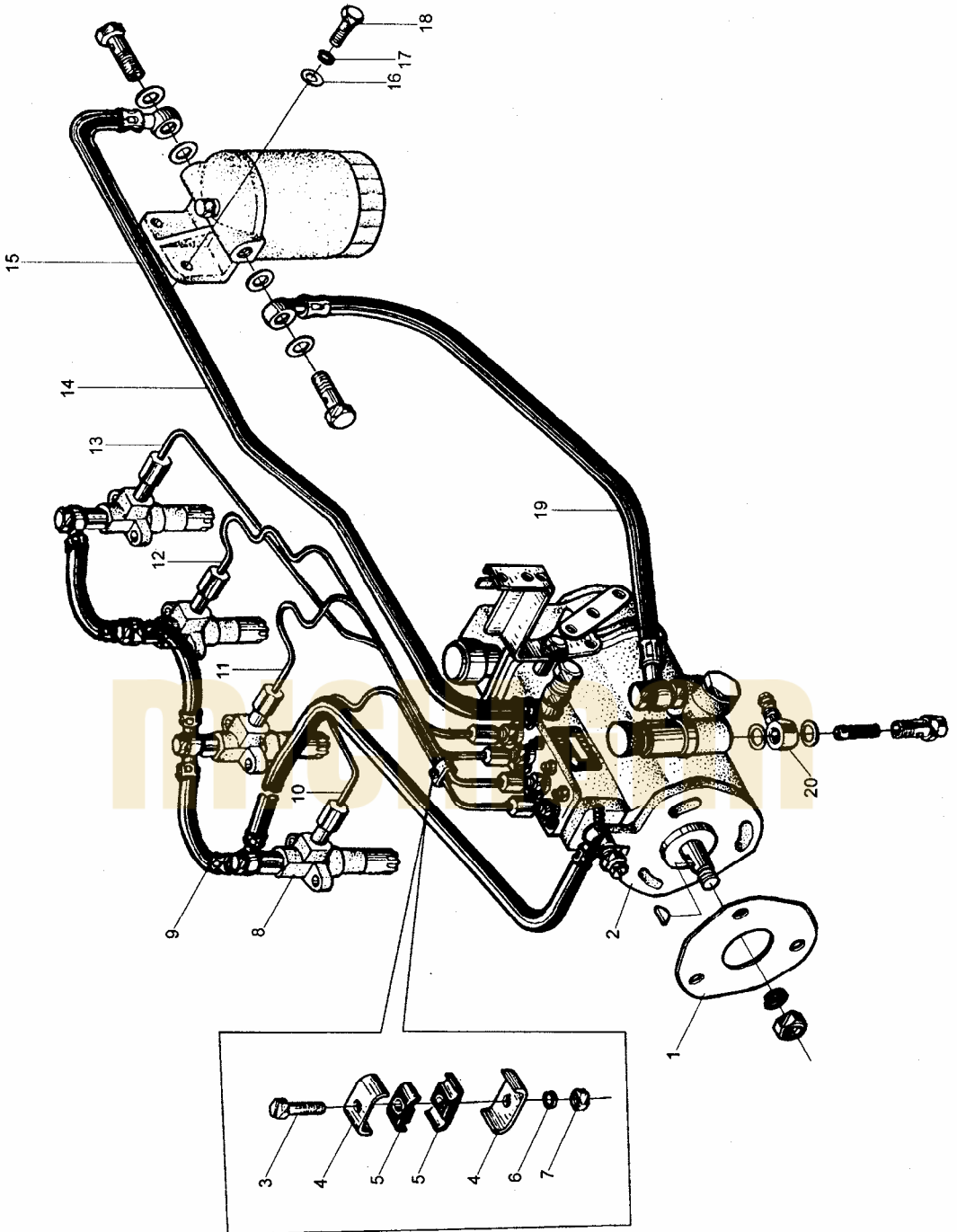
## Cooling water pump and fan assembly

No.	Part No.	Name	Q'ty	Remark
23	495B - 42006A	Back plate	1	498BPG
	490BT - 42006	Back plate	1	498BT
24	495B - 42008	Water pump impeller	1	
25	JB/T5086 - 1991	Water seal	1	
26	490BT - 42010	Water pump connector	1	498BT
27	495BT - 42007	Gasket	1	498BT

MICHIGAN



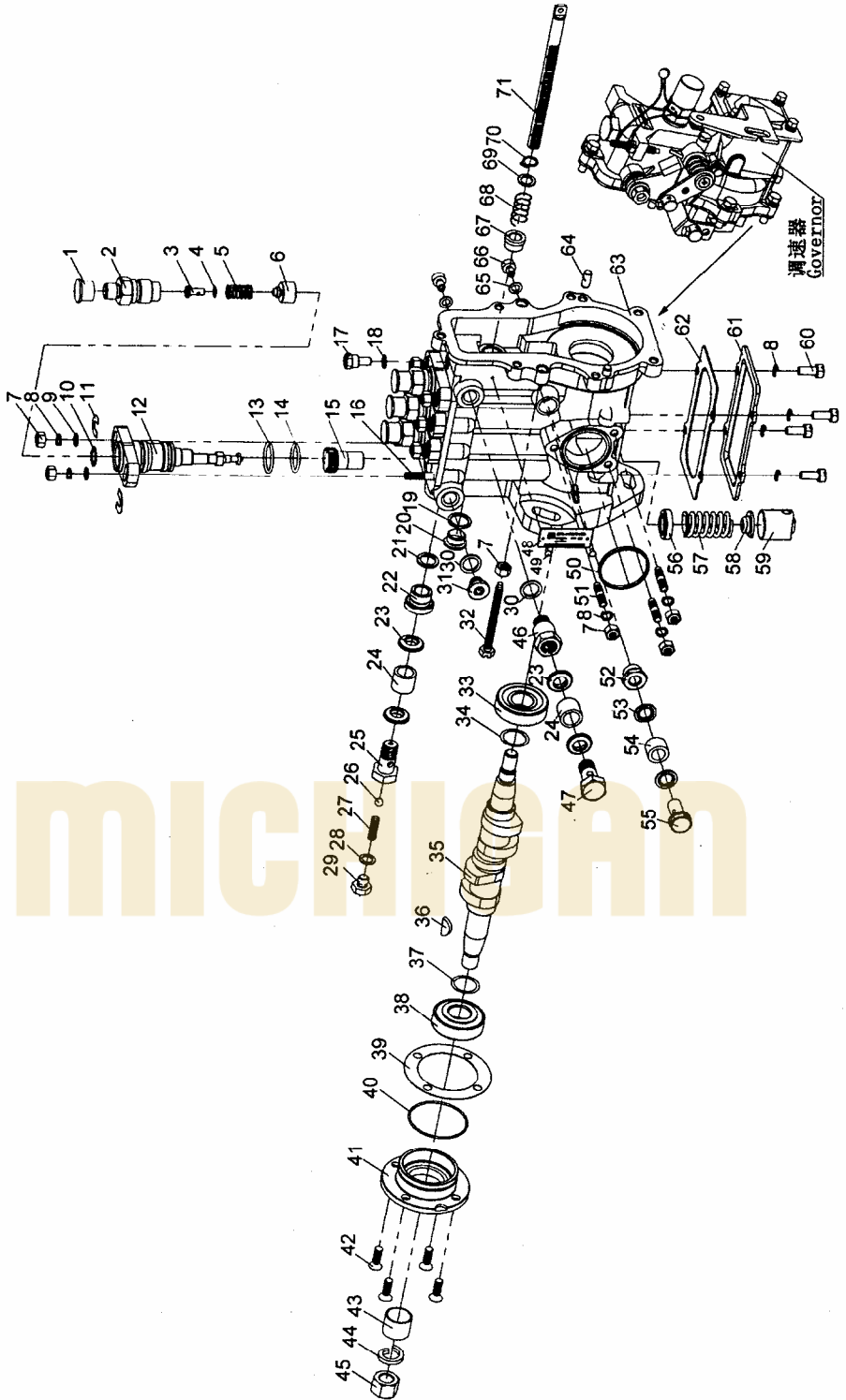
# Fuel supply system assembly



## Fuel supply system assembly

No.	Part No.	Name	Q'ty	Remark
1	490B - 21002 - 1	Gasket	1	
2	A498B - 21000	Fuel injection pump	1	
3	GB/T29. 1 - 1988	Bolt M6 × 25	3	
4	490B - 23501	Clamp	6	
5	490B - 23502	Rubber gasket	6	
6	GB/T93 - 1987	Spring washer 6	3	
7	GB/T6172 - 2000	Nut M6	3	
8	495B - 22000A	Fuel injector	4	
9	490B - 25100	Injector leak - off pipe	1	498BPG
	490BT - 25100	Injector leak - off pipe	1	498BT
10	490B - 23100	1st cylinder high pressure fuel tube	1	498BPG
	490R - 23100 - 1	1st cylinder high pressure fuel tube	1	498BT
11	490B - 23200	2nd cylinder high pressure fuel tube	1	498BPG
	490B - 23200 - 1	2nd cylinder high pressure fuel tube	1	498BT
12	490B - 23300	3rd cylinder high pressure fuel tube	1	498BPG
	490B - 23300 - 1	3rd cylinder high pressure fuel tube	1	498BT
13	490B - 23400	4th cylinder high pressure fuel tube	1	498BPG
	490B - 23400 - 1	4th cylinder high pressure fuel tube	1	498BT
14	490B - 25200	Fuel supply tube from fuel filter to injection pump	1	
15	490B - 24000	Fuel filter	1	
16	GB/T97. 1 - 1985	Washer 8	2	
17	GB/T93 - 1987	Spring washer 8	2	
18	GB/T5783 - 2000	Bolt M8 × 30	2	
19	490B - 25300	Fuel supply tube from supply pump to fuel filter	1	
20	490B - 25401	Fuel supply pump connector	1	

# Fuel pump assembly



## Fuel pump assembly

No.	Part No.	Name	Q'ty	Remark
1	B1 - 2	Protection cap	4	
2	B4QA003.2 - 01	Delivery valve holder	4	
3	B4QA003.2 - 02	Spindle	4	
4	B4Q001.2 - 03	Washer for delivery valve		
5	B4Q001.2 - 04	Delivery valve spring	4	
6	F21.0	Delivery valve	4	
7	GB6170 - 1986	Screw M6	12	
8	CB93 - 1987	Washer 6	15	
9	B4Q001 - 04	Washer	8	
10	B4QA003.2 - 03	Washer for delivery valve	4	
11	B4Q001 - 02	Adjustble washer		
12	X119A.0	P/Element	4	
13	B4Q001.2 - 08	seal - II	4	
14	B4Q001.2 - 10	seal - IV	4	
15	B4QA003 - 01	Adjustble gear	4	
16	B4Q001.1 - 04	Binder bolt	8	
17	B4Q001 - 20	Banjo bolt	1	
18	B4Q001 - 25	Washer	1	
19	B4Q001 - 16	Throttle lever case	1	
20	B4Q001 - 17	Washer	1	
21	B4QA003.1 - 02	Washer	1	
22	B4QA003.1 - 01	Fuel inlet connection	1	
23	B4Q001 - 18	Washer	4	
24	B4Q001 - 19	Protection washer	2	

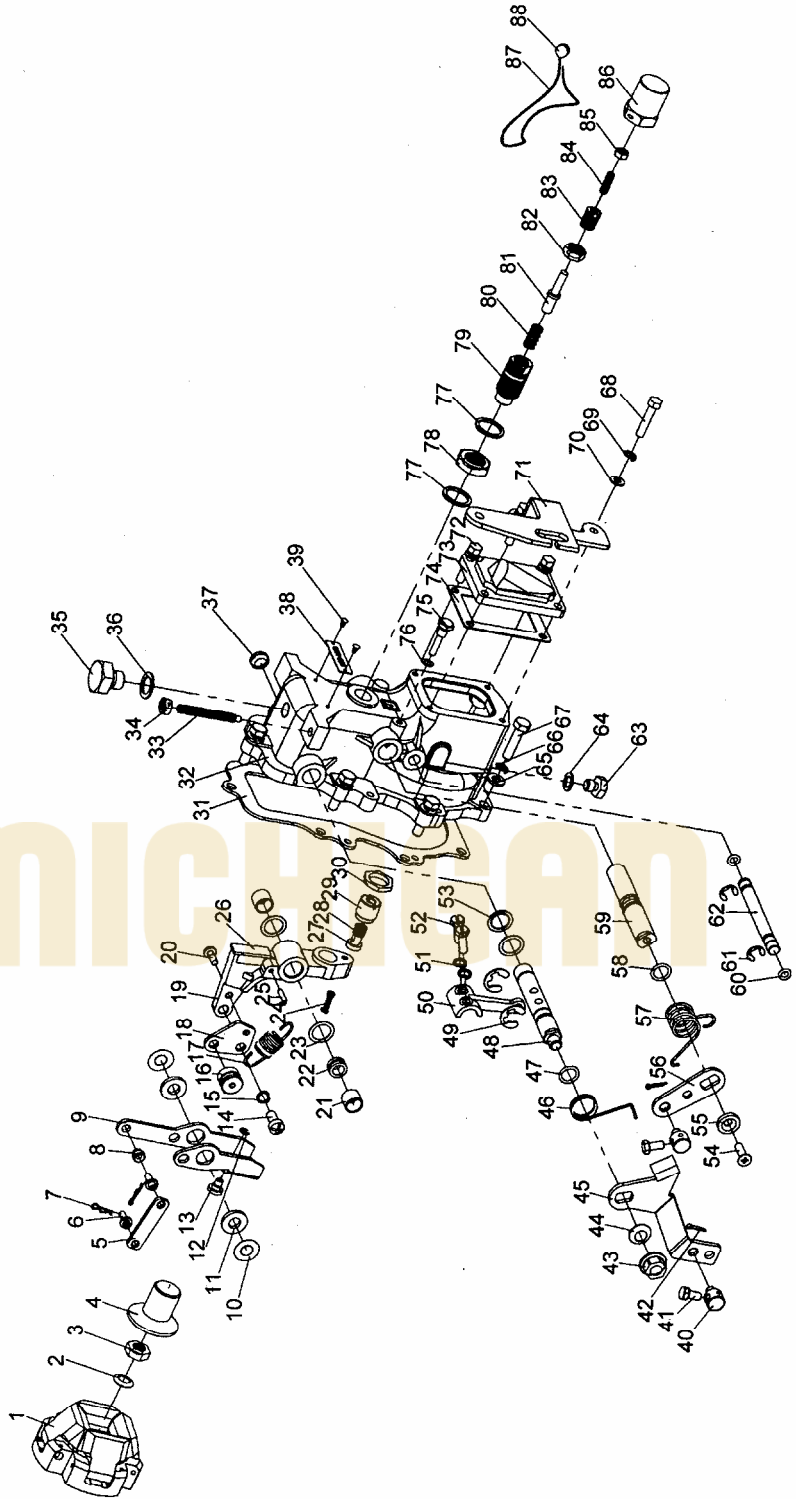
## Fuel pump assembly

No.	Part No.	Name	Q'ty	Remark
25	B4Q001.6 - 04	Fule back connection screw	1	
26	GB308 - 1977	Steel ball 6C40b	1	
27	B4Q001.6 - 03	Spring	1	
28	B4Q001.6 - 02	Washer	1	
29	B4Q001.6 - 01	Screw	1	
30	B4Q001.1 - 02	Washer	2	
31	B4Q001.1 - 03	Fuel pipe plug	1	
32	B4Q001 - 23	Fixing pin	1	
33	GB297 - 1994	Roller bearing 30203	1	
34	B4Q001.4 - 01	Camshaft adjustble washer		
35	B4QA001.4 - 02	Camshaft	1	
36	GB1099 - 1979	Shaft 4 × 6.5 × 16	1	
37	B4QA001.4 - 01	Camplate		
38	GB297 - 1994	Roller bearing 30204	1	
39	B4QA001 - 04	Bearing adjustble washer		
40	B4QA001.5 - 01	Seal	1	
41	B4QA001.5 - 02	Bearing cap	1	
42	GB819 - 85	Screw M6 × 14	4	
43	B4QA001 - 05	Protection case	1	
44	GB93 - 1987	Washer 14	1	
45	GB6171 - 1986	Screw M14 × 1.5	1	
46	B4Q001.1 - 01	Fuel inlet and back connection	1	
47	B2 - 2	Fuel inlet adaptor	1	
48	X4BQA85Y022H	Label	1	

## Fuel pump assembly

No.	Part No.	Name	Q'ty	Remark
49	GB827 - 1986	Label rivet 2 × 5	2	
50	B4Q001 - 01	Feed pump seal	1	
51	B4Q001.1 - 06	Binder bolt	3	
52	B4Q023.1 - 02	Connection	1	
53	B4Q023 - 02	Washer	2	
54	B4Q023 - 04	Protection washer	1	
55	B4Q023 - 03	Fuel inlet and back screw	1	
56	B4Q001 - 07	Pump element spring	4	
57	B4QA001 - 02	Pump element spring	4	
58	B4Q001 - 09	Pump element spring	4	
59	B4QA001.3 - 01	Tappet assy.	4	
60	GB29.1 - 1988	Screw M6 × 14	4	
61	B4Q001 - 13	Plate	1	
62	B4Q001 - 12	Plate seal	1	
63	B4QA003.1 - 03	Pump housing	1	
64	GB119 - 1986	Pin D5 × 12	2	
65	B4Q001 - 11	Washer	5	
66	B4Q001 - 10	Fixing screw	5	
67	B4Q001.1 - 07	Throttle case	1	
68	B4Q001 - 21	Spring	1	
69	B4Q001 - 22	Ring	1	
70	GB894.1 - 1986	Ring 9	1	
71	B4Q001 - 06	Throttle lever	1	

# Governor



## Governor

No.	Part No.	Name	Q'ty	Remark
1	TQF001.1	Fly shaft parts	1	
2	TQ001 -02	Washer	1	
3	GB6172 -86	Screw M12 × 1.25	1	
4	TQ001 -03	Governor case	1	
5	TQ001.3.1.1 -02	Connect shaft	1	
6	TQ001.3.1.1 -01	Connect pin	2	
7	TQ001.3.1 -02	Pin	2	
8	TQ001.3.1.3 -01	Connection housing	1	
9	TQ001.3.1.3 -02	Adjustable level	1	
10	TQ001.3 -19	Adjustable washer	2	
11	TQ001.3 -18	Washer	2	
12	GB896 -86	Ring 3.5	1	
13	TQ001.3.1.3 -03	Supporting parts	1	
14	GB818 -85	Screw M6 × 10	1	
15	GB859 -76 - Zn. D	Washer 6	1	
16	TQ001.3.1.2.1 -01	Hook for spring	1	
17	TQ001.3 -01	Spring	1	
18	TQ001.3.1.2.1 -02	Spring	1	
19	TQ002.1.1.1 -01	Governor shaft	1	
20	GB109 -86	Rivet	1	
21	GB290 -89	Bearing	2	
22	TQ001.3.1 -03	Diaphragm	1	
23	TQ001.3.1 -04	Governor lever	2	
24	TQ002.1.1 -01	Spring	1	



## Governor

No.	Part No.	Name	Q'ty	Remark
25	GB879 - 76	Pin A3 × 16	1	
26	TQ001.3.1.2 - 02	Shaft	1	
27	TQ002.1.1.2 - 01	Lever	1	
28	TQ002.1.1.2 - 02	Spring	1	
29	TQ002.1.1.2 - 03	Binder bolt case	1	
30	GB808 - 88	Screw	1	
31	TQ001 - 01	Seal	1	
32	TQ001.3 - 03	Back plate	1	
33	TQ001.3 - 12	Fixing pin	1	
34	TQ001.3 - 13	Fixing screw	1	
35	TQ001.2a	Seal	1	
36	TQ001 - 04	Washer	1	
37	TQ001.3 - 06	Plug	1	
38	TQ001.3 - 04	Label	1	
39	GB827 - 86	Rivet 2 × 4	2	
40	TQ001.3 - 09	Shaft	2	
41	GB29.1 - 88	Bolt M5 × 10	2	
42	GB91 - 86	Pin 2 × 10	2	
43	GB6177 - 86	Screw M8	1	
44	GB860 - 87	Washer 8	1	
45	TQ001.3 - 10b	Governor shaft	1	
46	TQ001.3 - 11	Spring	1	
47	GB3452.1 - 92	Seal 9 × 1.8	1	
48	TQ001.3 - 07	Governer cam	1	

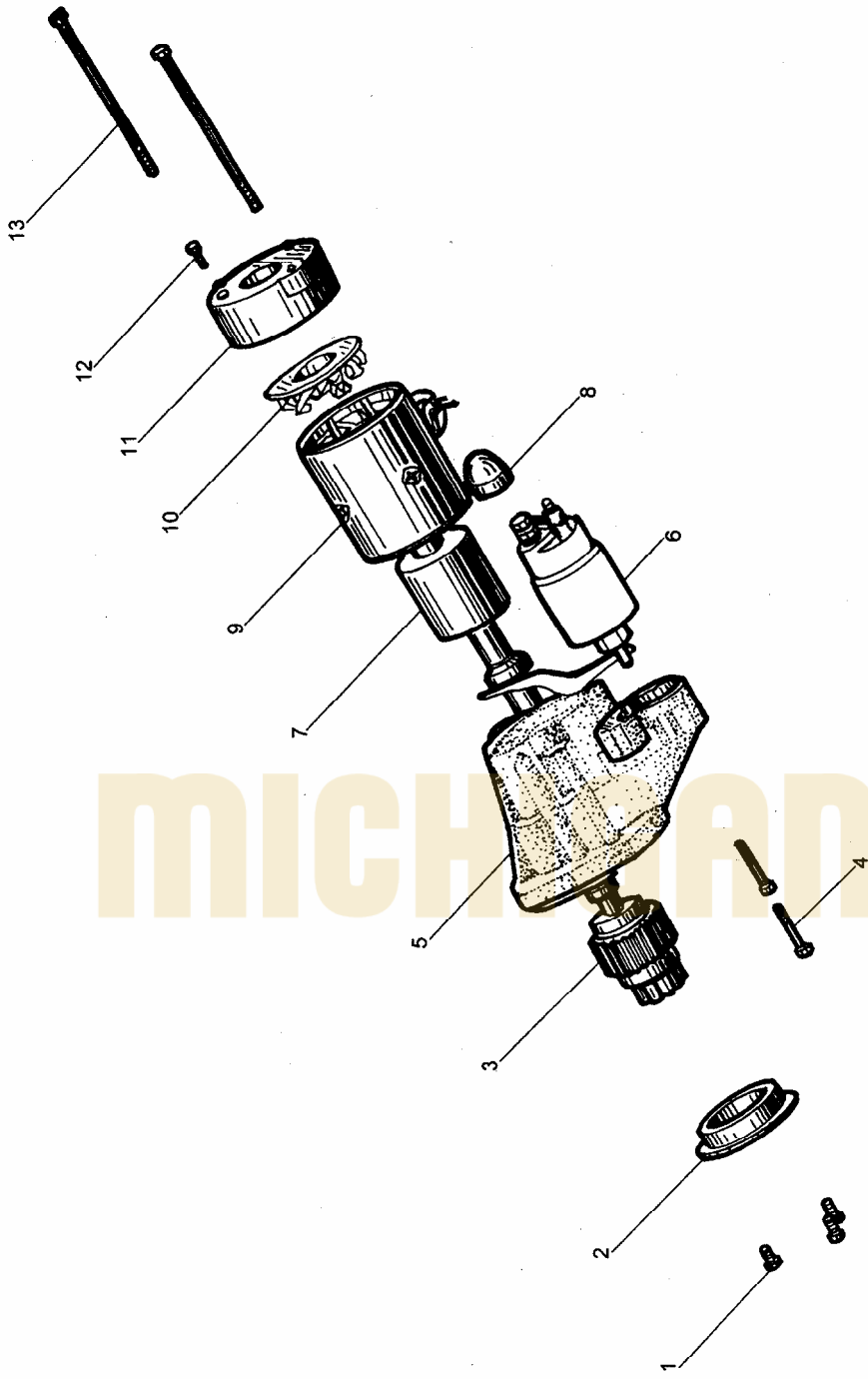
## Governor

No.	Part No.	Name	Q'ty	Remark
49	GB896 - 86	Ring 9	2	
50	TQ001.3 - 02	Spring shaft	1	
51	GB93 - 87	Washer 5	2	
52	GB29.1 - 88	Bolt M5 × 15	2	
53	TQ001.3 - 08	Washer	2	
54	GB819 - 85	Screw M5 × 10	1	
55	TQ001.3.3 - 02	Washer	1	
56	TQ002.1.2 - 01	Connection plate	1	
57	TQ001.3 - 16	Spring	1	
58	GB3452.1 - 92	Seal 10 × 1.8	1	
59	TQ001.3.3 - 03	Stop shaft	1	
60	GB3452.1 - 92	Seal 5 × 1.8	2	
61	GB896 - 86	Ring 6	2	
62	TQ001.3 - 17	Middle shaft	1	
63	TQ001.3 - 21	Fule output pin	1	
64	TQ001.3 - 20	Washer	1	
65	GB95 - 85	Washer 6	7	
66	GB93 - 87	Washer 6	7	
67	GB5783 - 86	Bolt M6 × 25	7	
68	GB5783 - 86	Bolt M5 × 16	2	
69	GB859 - 87	Washer 5	4	
70	GB95 - 85	Washer 5	4	
71	TQ002.2 - 01c	Stop trestle	1	
72	GB5783 - 86	Bolt M5 × 14	2	

## Governor

No.	Part No.	Name	Q'ty	Remark
73	TQ001.5 - 02a	Back plate	1	
74	TQ001 - 05	Washer	1	
75	TQ001.3 - 15	Fixing position screw	1	
76	TQ001.3 - 14	Washer	1	
77	TQ001.3 - 05	Washer	2	
78	TQ001.3.2 - 03	Screw M16 × 1	1	
79	TQ001.3.2 - 02	Rectify bolt case	1	
80	TQ001.3.2 - 07	Rectify spring	1	
81	TQ001.3.2 - 01	Rectify lever	1	
82	TQ001.3.2 - 06	Screw M10 × 1	1	
83	TQ001.3.2 - 04	Adjustble bolt case	1	
84	GB73 - 85	Screw M5 × 15	1	
85	GB6172 - 86	Screw M5	1	
86	TQ001.3.2 - 05	Protection cap	1	
87	GB3081 - 82	Lead seal wire		
88	R001 - 01	Lead seal	1	

# Starting motor assembly

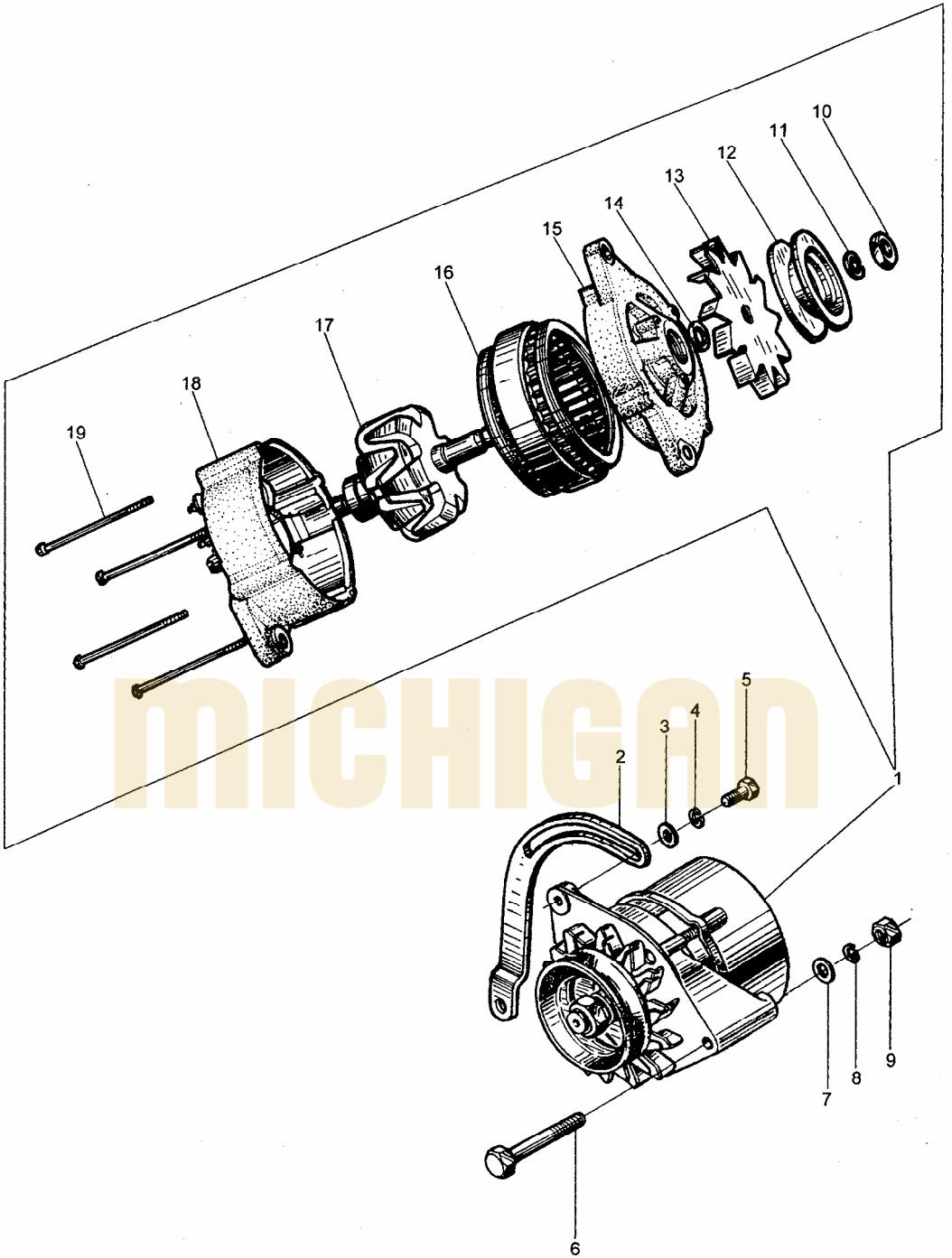


MICHIGAN

## Starting motor assembly

No.	Part No.	Name	Q'ty	Remark
1		Screw M5	3	
2		Baffle	1	
3		One - direction clutch	1	
4		Bolt M6	2	
5		Drive housing	1	
6		Solenoid & drive lever	1	
7		Armature	1	
8		Rubber casing	1	
9		Field case assemblies	1	
10		Brush housing	1	
11		Back housing	1	
12		Screw M4	1	
13		Bolt M6	2	

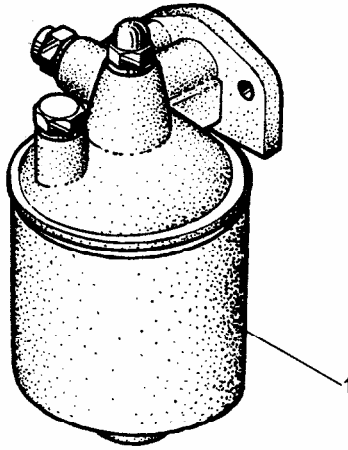
# Charging generator assembly



## Charging generator assembly

No.	Part No.	Name	Q'ty	Remark
1	490B - 52000	Charging gengerator	1	
2	495B - 53001	Adjusting lever for generator	1	498BPG
	495BT - 53001 - 1	Adjusting lever for generator	1	498BT
3	GB/T97.1 - 1985	Washer 8	1	
4	GB/T93 - 1987	Spring washer 8	1	
5	GB/T5783 - 2000	Bolt M8 × 25	1	
6	GB/T5782 - 2000	Bolt M10 × 80	1	
7	GB/T97.1 - 1985	Washer 10	1	
8	GB/T93 - 1987	Spring washer	1	
9	GB/T6170 - 2000	Nut 10	1	
10		Nut M16	1	
11		Gasket 16	1	
12		Pulley	1	
13		Fan	1	
14		Inside spacer	1	
15		Drive housing assembly	1	
16		Stator assembly	1	
17		Rotor assembly	1	
18		Drive end assembly	1	
19		Tightening bolt M5	4	

Oil filter assembly



MICHIGAN



## Oil filter assembly

No.	Part No.	Name	Q'ty	Remark
1	490B - 32000B	Oil filter	1	

MICHIGAN